



## SOLAR TRACKER SOLUTION

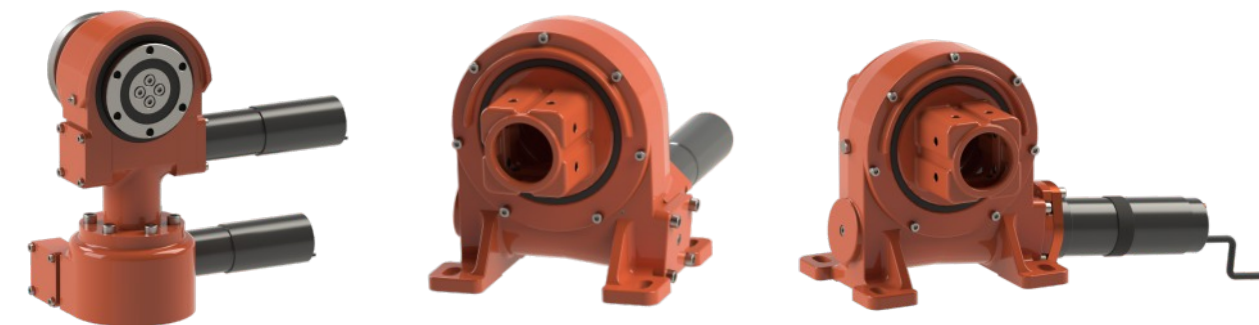
**BERGMANN**  
ENERGY OF THE FUTURE

Enerinvest srl - Via Cardarelli 85 , 86039 Termoli (CB) Italy - tel +39 0875.702073- email: info@bergmannitalia.it- web: www.bergmannitalia.it

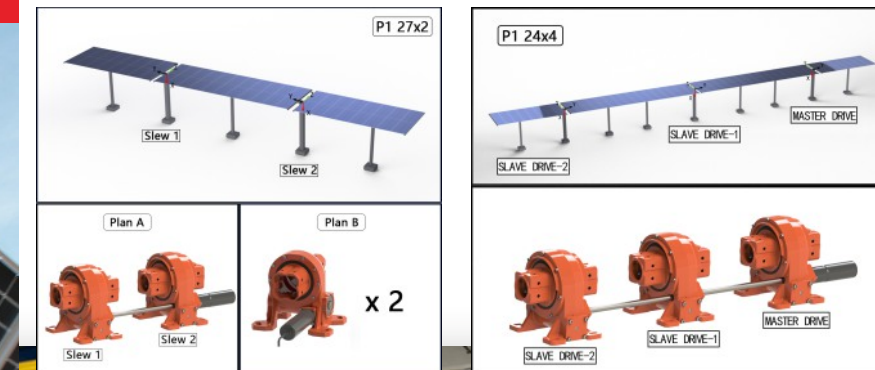
**BERGMANN**  
ENERGY OF THE FUTURE



## SLAVING DRIVE FOR SOLAR TRACKING SYSTEM



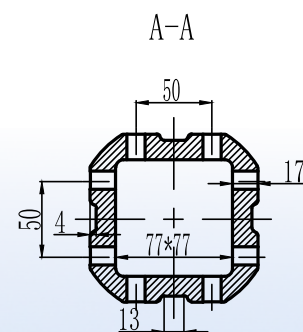
**SOLAR TRACKER SOLUTION**



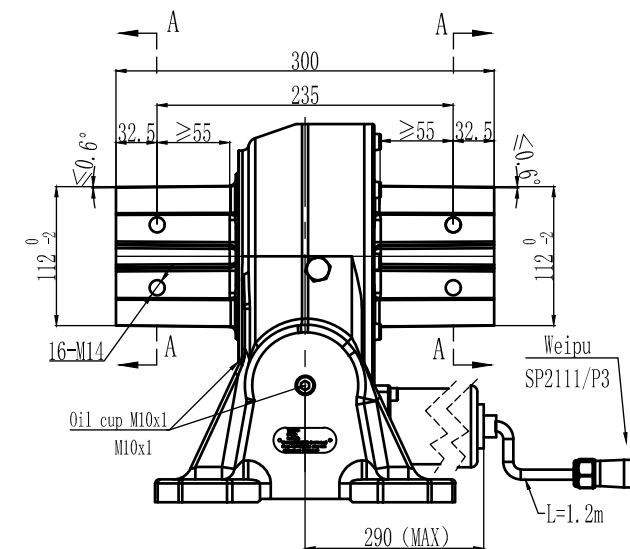
SV05.....	06
VE05.....	07
VE06.....	08
SV07.....	09
VE07.....	10
SV08.....	11
VE08.....	12
SV09.....	13
VE09.....	14
VE10.....	15
PV LINKAGE SOLUTION .....	16
SVE05.....	17
SVE05-Z.....	18
SVE05-M.....	19
SVE05-C.....	20
SVE07.....	21
SVE07-Z.....	22
SVE07-M.....	23

SVE07-C.....	24
SRE06-66-F140.....	25
SRE06C-F140Y35-D.....	26
SRE06-F140Y35-2S.....	27
SRE06C-F140Y35-U.....	28
SRE07-66-F140.....	29
SRE07C-F140Y35-D.....	30
SRE07-F140Y35-2S.....	31
SRE07C-F140Y35-U.....	32
DC BRUSH MOTOR .....	33
CSP DUAL AXIS TRACKING SYSTEM .....	34
SVH03.....	35
SVH07.....	36
SVH17.....	37
OUTPUT FLANGE TYPE .....	38

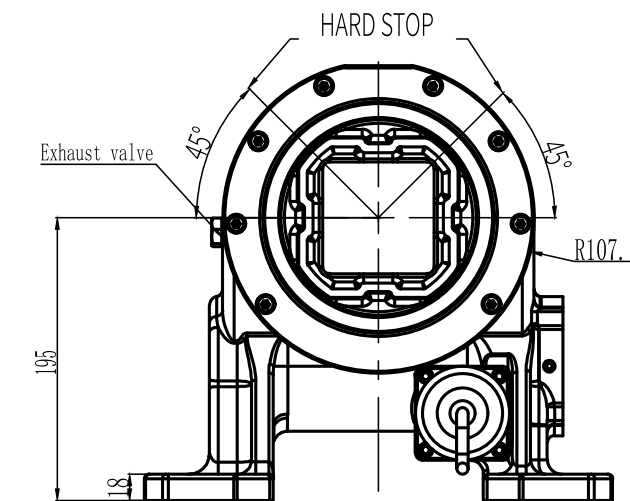
**3 D**



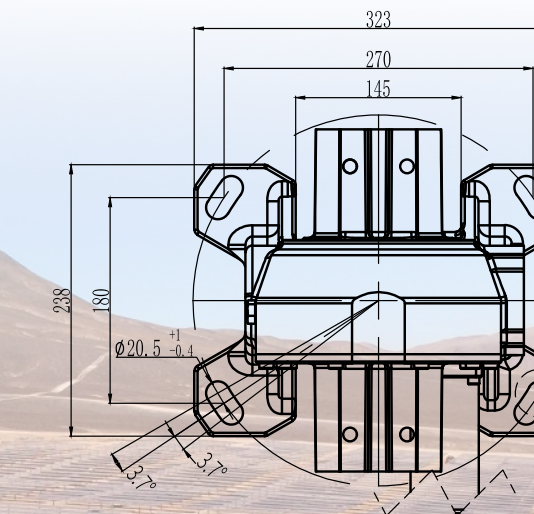
Left view



Front view



TOP view

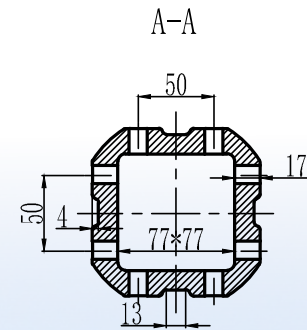
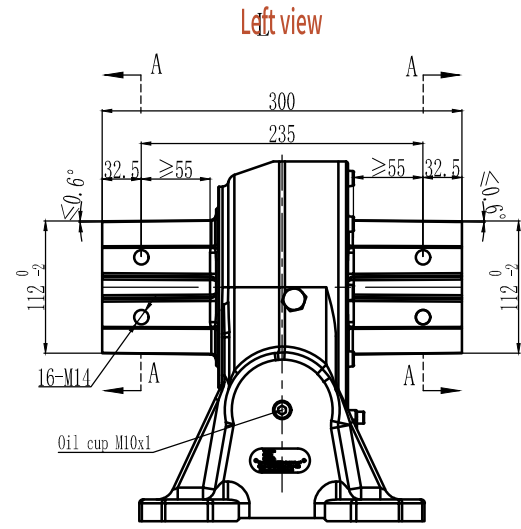


**NOTICE**  
Products non-standard customization, the shape and size of the output shaft can be changed on request

**SLEWING DRIVE PERFORMANCE DATA**

<b>RATED OUTPUT TORQUE</b>	<b>3.3kN.m</b>	<b>RATED OUTPUT SPEED</b>	<b>0.032rpm</b>
<b>HOLDING TORQUE</b>	<b>15.5kN.m</b>	<b>AXIAL STATIC LOAD</b>	<b>45kN</b>
<b>RADIAL STATIC LOAD</b>	<b>60kN</b>	<b>TRACKING PRECISION</b>	<b>≤0.2°</b>
<b>RATIO OF WORM GEAR</b>	<b>880:1</b>	<b>RATED VOLTAGE OF MOTOR</b>	<b>24V</b>
<b>TEMPERATURE</b>	<b>-40~+80°C</b>	<b>IP CLASS</b>	<b>Ip65</b>

**3 D**

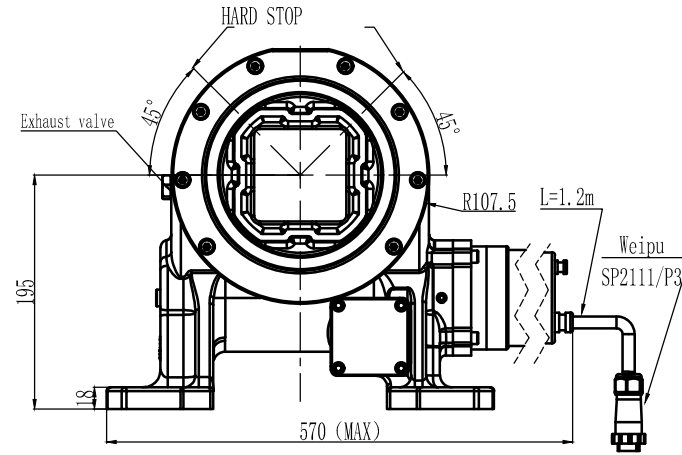


**NOTICE**  
Products support non-standard customization, the shape and size of the output shaft can be changed on request.

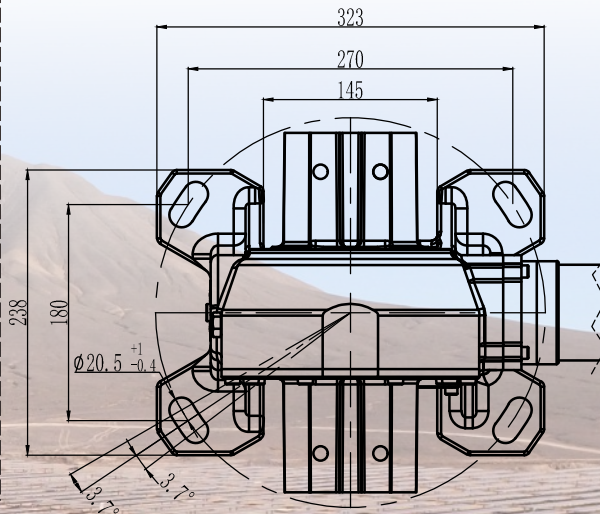
**SLEWING DRIVE PERFORMANCE DATA**

RATED OUTPUT TORQUE	3.3kN.m	RATED OUTPUT SPEED	0.032rpm
HOLDING TORQUE	15.5kN.m	AXIAL STATIC LOAD	45kN
RADIAL STATIC LOAD	80kN	TRACKING PRECISION	≤0.2°
RATIO OF WORM GEAR	55:1	RATED VOLTAGE OF MOTOR	24V
TEMPERATURE	-40~+80°C	IP CLASS	Ip65

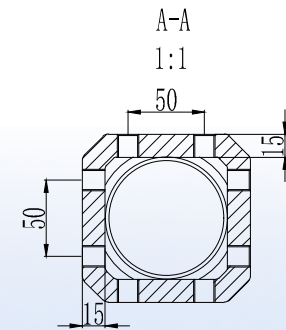
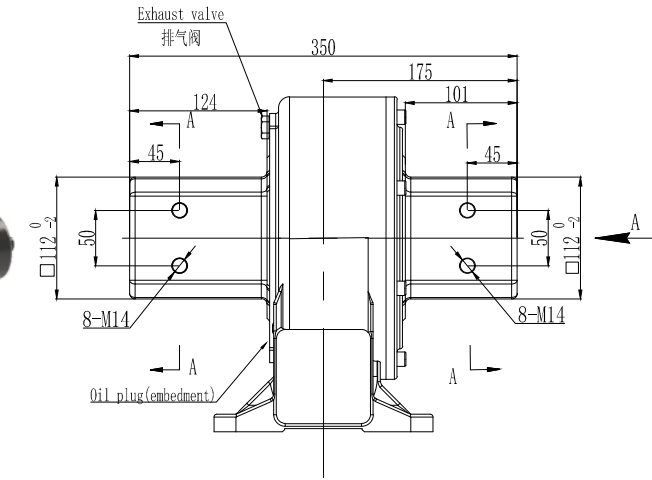
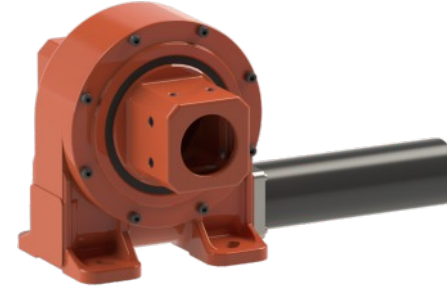
**Front view**



**TOP view**



**3 D**

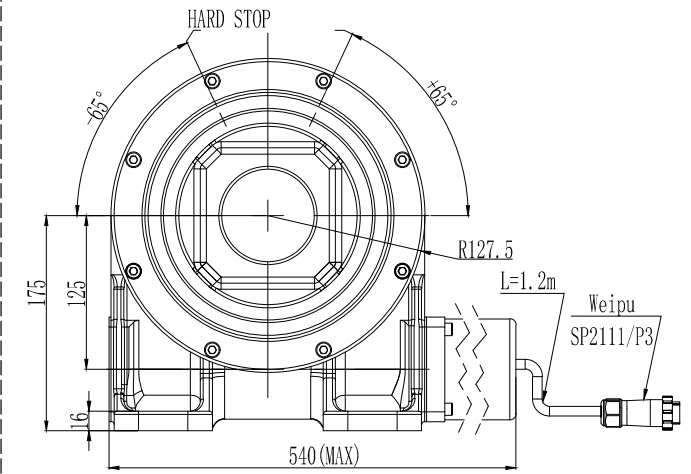


**NOTICE**  
Products support non-standard customization, the shape and size of the output shaft can be changed on request.

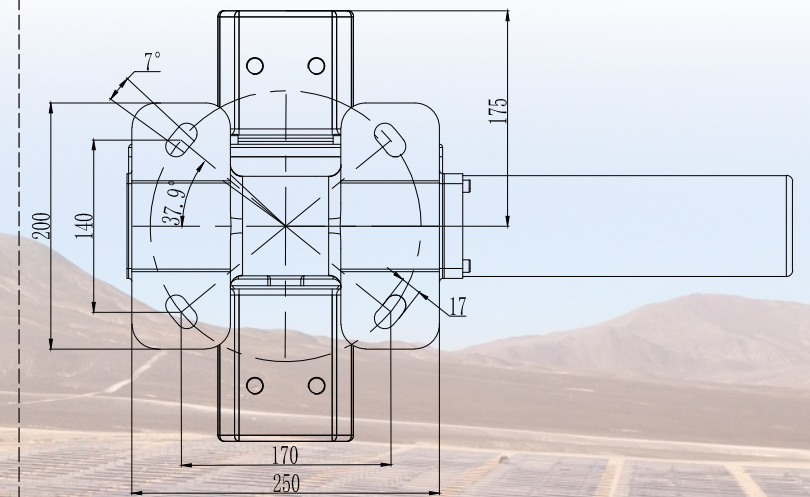
**SLEWING DRIVE PERFORMANCE DATA**

RATED OUTPUT TORQUE	2.8kN.m	RATED OUTPUT SPEED	0.035rpm
HOLDING TORQUE	20kN.m	AXIAL STATIC LOAD	48kN
RADIAL STATIC LOAD	78kN	TRACKING PRECISION	≤0.2°
RATIO OF WORM GEAR	51:1	RATED VOLTAGE OF MOTOR	24V
TEMPERATURE	-40~+80°C	IP CLASS	Ip65

**Front view**



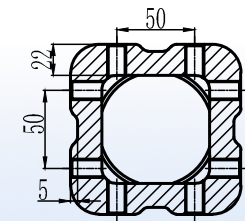
**Vertical view**



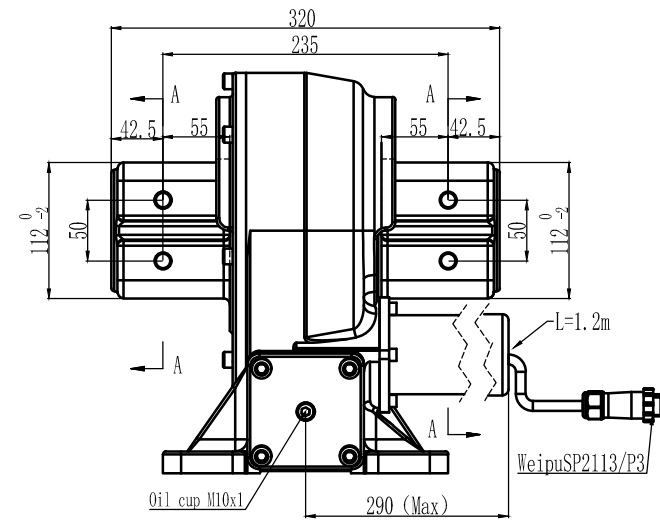
**3 D**



A-A  
1:1



**Right view**

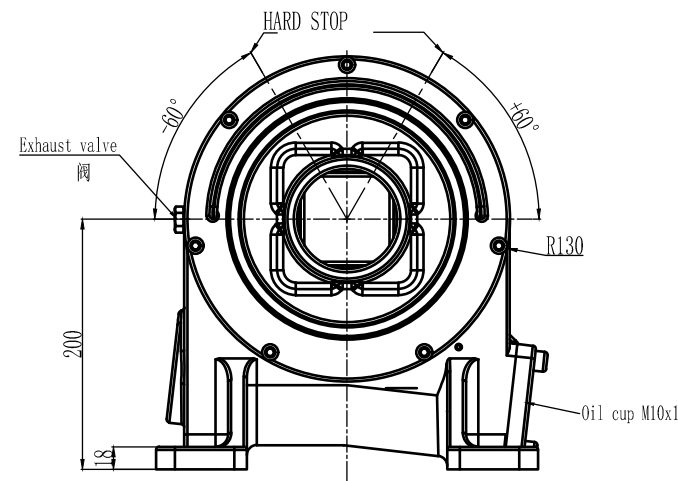


**NOTICE**  
Products support non-standard customization, the shape and size of the output shaft can be changed on request.

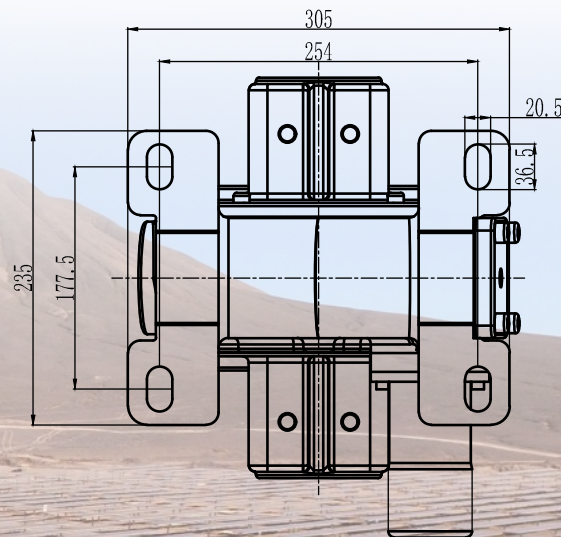
**SLEWING DRIVE PERFORMANCE DATA**

RATED OUTPUT TORQUE	6kN.m	RATED OUTPUT SPEED	0.025rpm
HOLDING TORQUE	45kN.m	AXIAL STATIC LOAD	48kN
RADIAL STATIC LOAD	85kN	TRACKING PRECISION	≤0.2°
RATIO OF WORM GEAR	2160:1	RATED VOLTAGE OF MOTOR	24V
TEMPERATURE	-40~+80°C	IP CLASS	Ip65

**Front view**



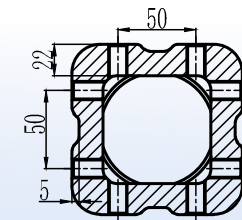
**Vertical view**



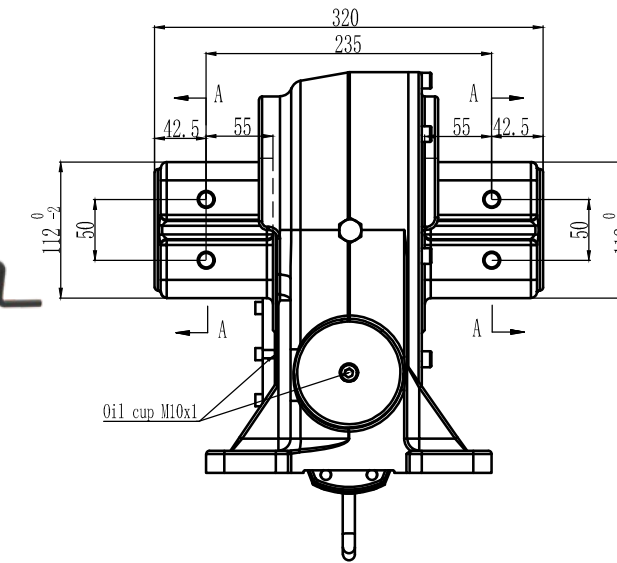
**3 D**



A-A  
1:1



**Left view**

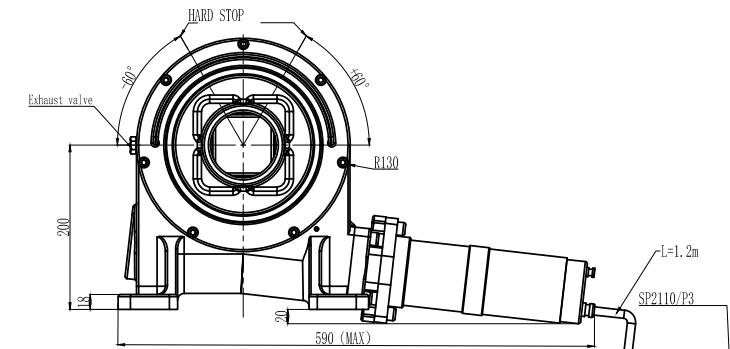


**NOTICE**  
Products support non-standard customization, the shape and size of the output shaft can be changed on request.

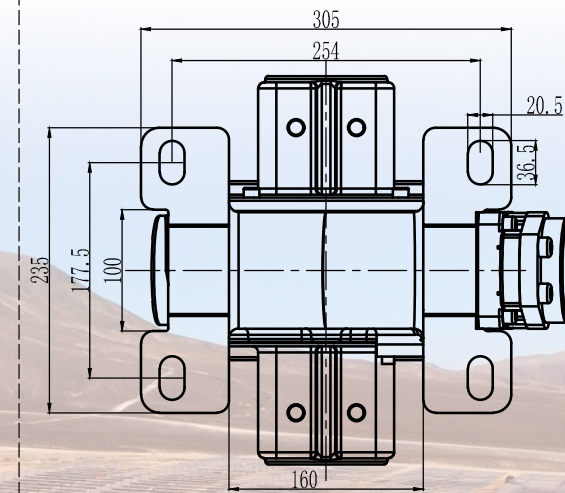
**SLEWING DRIVE PERFORMANCE DATA**

RATED OUTPUT TORQUE	6kN.m	RATED OUTPUT SPEED	0.025rpm
HOLDING TORQUE	45kN.m	AXIAL STATIC LOAD	48kN
RADIAL STATIC LOAD	85kN	TRACKING PRECISION	≤0.2°
RATIO OF WORM GEAR	60:1	RATED VOLTAGE OF MOTOR	24V
TEMPERATURE	-40~+80°C	IP CLASS	Ip65

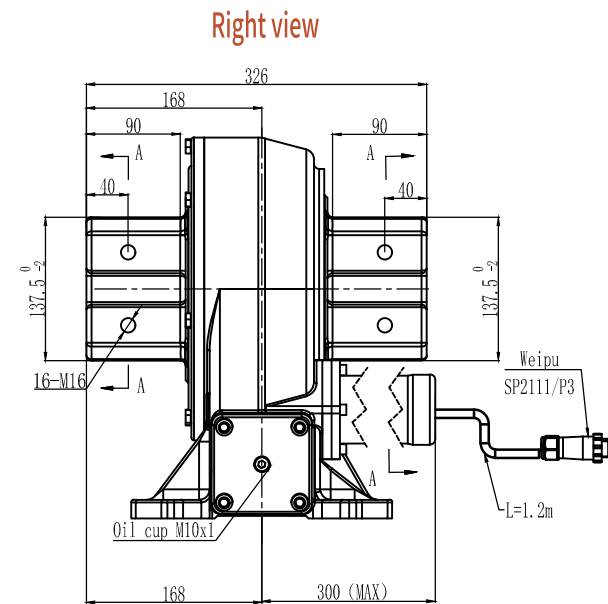
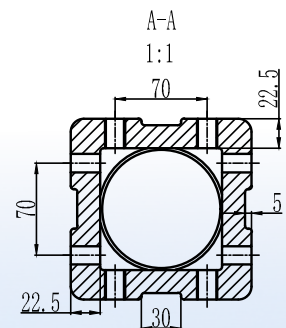
**Front view**



**Vertical view**



3 D

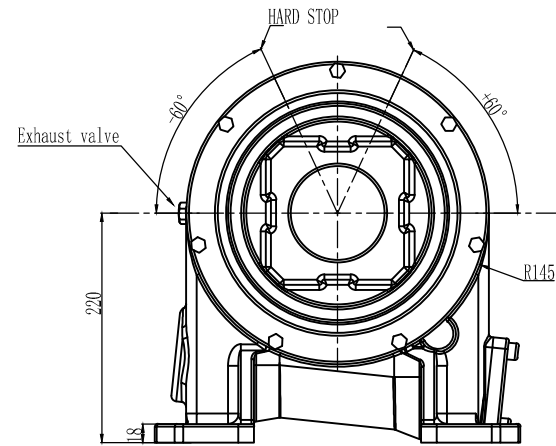


**NOTICE**  
Products support non-standard customization, the shape and size of the output shaft can be changed on request.

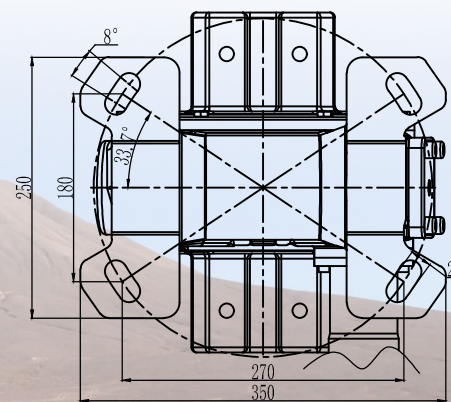
**SLEWING DRIVE PERFORMANCE DATA**

RATED OUTPUT TORQUE	6kN.m	RATED OUTPUT SPEED	0.019rpm
HOLDING TORQUE	34.5kN.m	AXIAL STATIC LOAD	68kN
RADIAL STATIC LOAD	135kN	TRACKING PRECISION	≤0.2°
RATIO OF WORM GEAR	2100:1	RATED VOLTAGE OF MOTOR	24V
TEMPERATURE	-30~+80°C	IP CLASS	Ip65

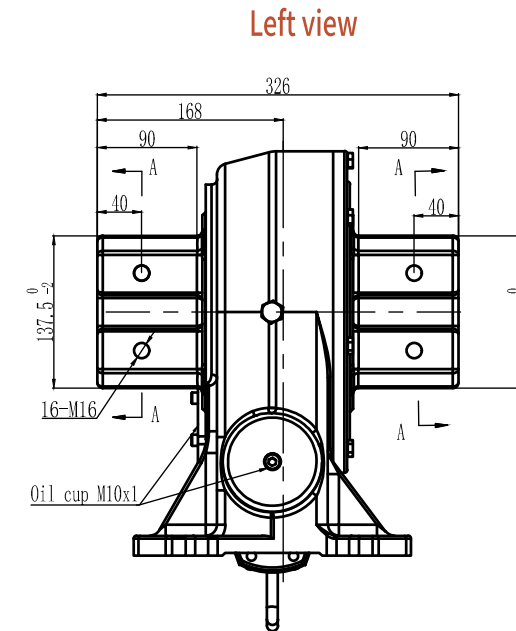
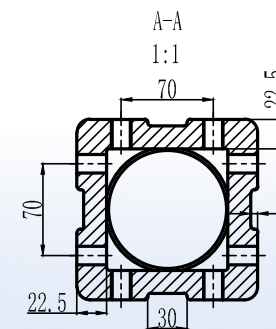
Front view



Vertical view



3 D

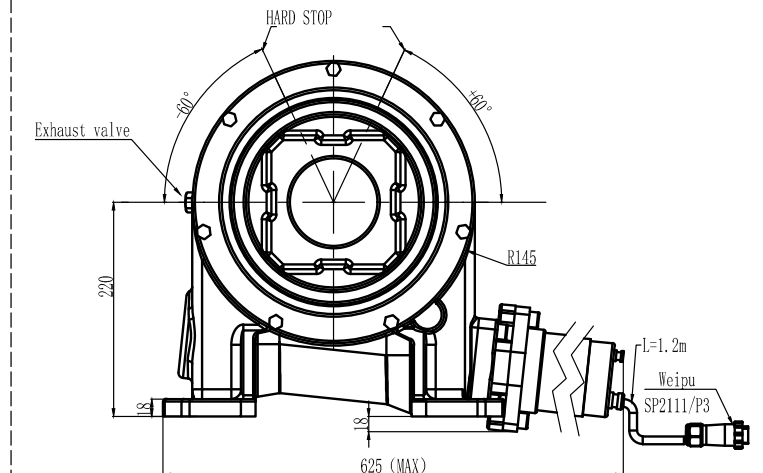


**NOTICE**  
Products support non-standard customization, the shape and size of the output shaft can be changed on request.

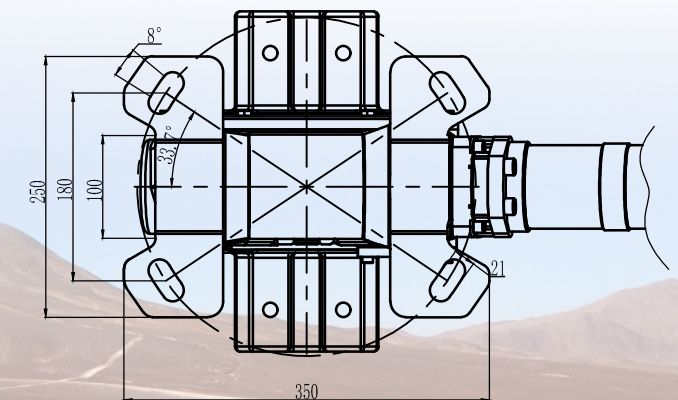
**SLEWING DRIVE PERFORMANCE DATA**

RATED OUTPUT TORQUE	6kN.m	RATED OUTPUT SPEED	0.019rpm
HOLDING TORQUE	55kN.m	AXIAL STATIC LOAD	68kN
RADIAL STATIC LOAD	135kN	TRACKING PRECISION	≤0.2°
RATIO OF WORM GEAR	50:1	RATED VOLTAGE OF MOTOR	24V
TEMPERATURE	-40~+80°C	IP CLASS	Ip65

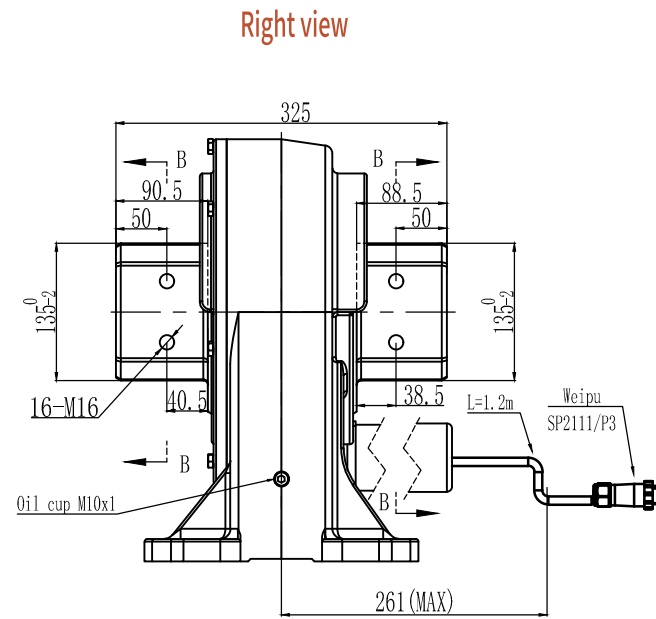
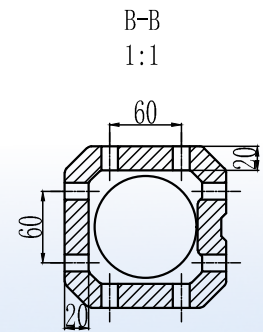
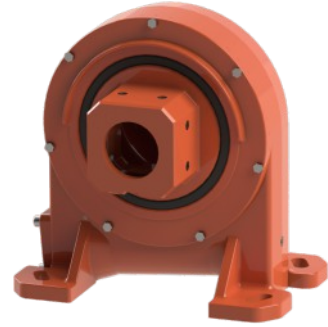
Front view



Vertical view



**3 D**

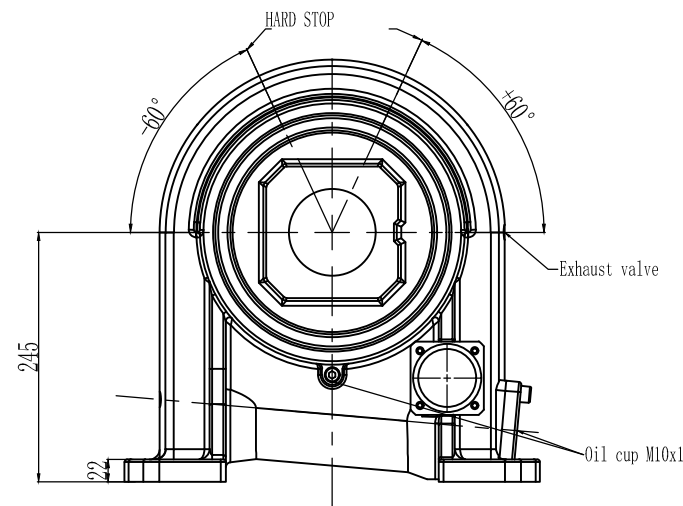


**NOTICE**  
Products support non-standard customization, the shape and size of the output shaft can be changed on request.

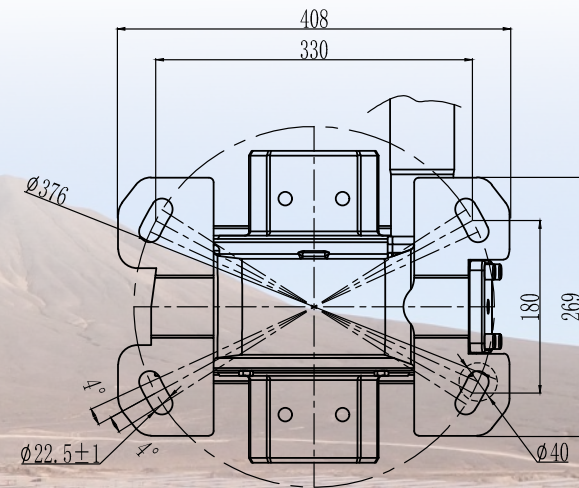
**SLEWING DRIVE PERFORMANCE DATA**

RATED OUTPUT TORQUE	7.2kN.m	RATED OUTPUT SPEED	0.015rpm
HOLDING TORQUE	60kN.m	AXIAL STATIC LOAD	68kN
RADIAL STATIC LOAD	135kN	TRACKING PRECISION	≤0.2°
RATIO OF WORM GEAR	2562:1	RATED VOLTAGE OF MOTOR	24VDC
TEMPERATURE	-40~+80°C	IP CLASS	Ip65

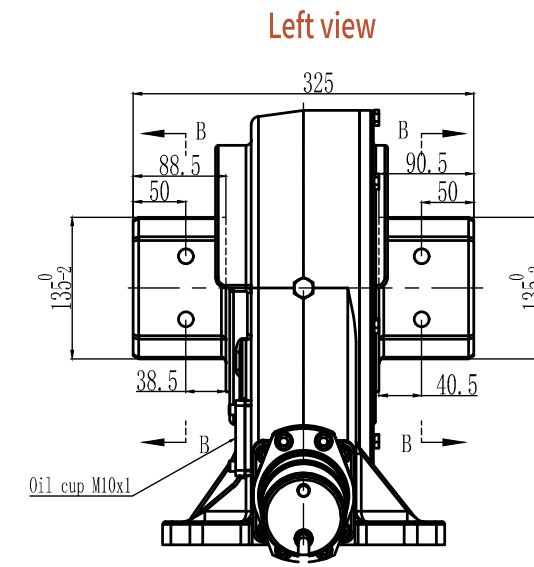
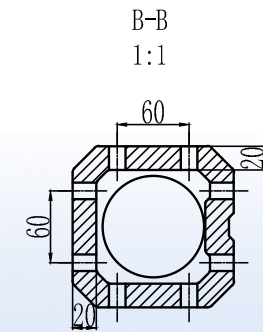
**Front view**



**Vertical view**



**3 D**

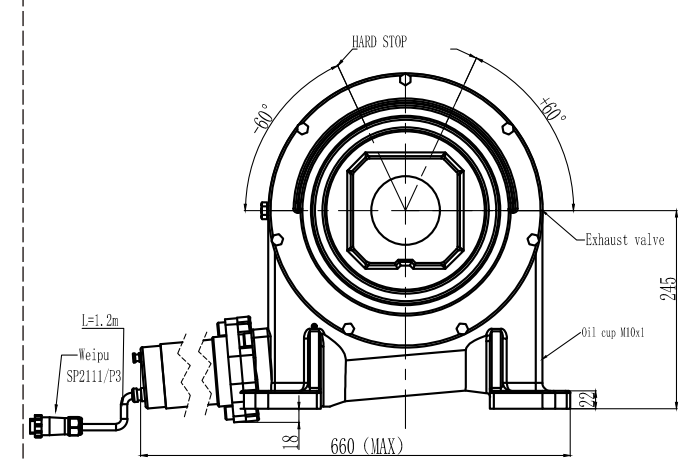


**NOTICE**  
Products support non-standard customization, the shape and size of the output shaft can be changed on request.

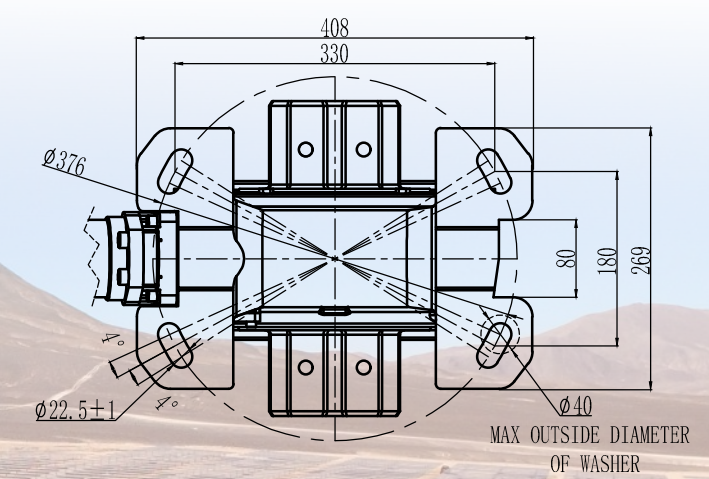
**SLEWING DRIVE PERFORMANCE DATA**

RATED OUTPUT TORQUE	7.2kN.m	RATED OUTPUT SPEED	0.025rpm
HOLDING TORQUE	60kN.m	AXIAL STATIC LOAD	68kN
RADIAL STATIC LOAD	135kN	TRACKING PRECISION	≤0.2°
RATIO OF WORM GEAR	61:1	RATED VOLTAGE OF MOTOR	24V
TEMPERATURE	-40~+80°C	IP CLASS	Ip65

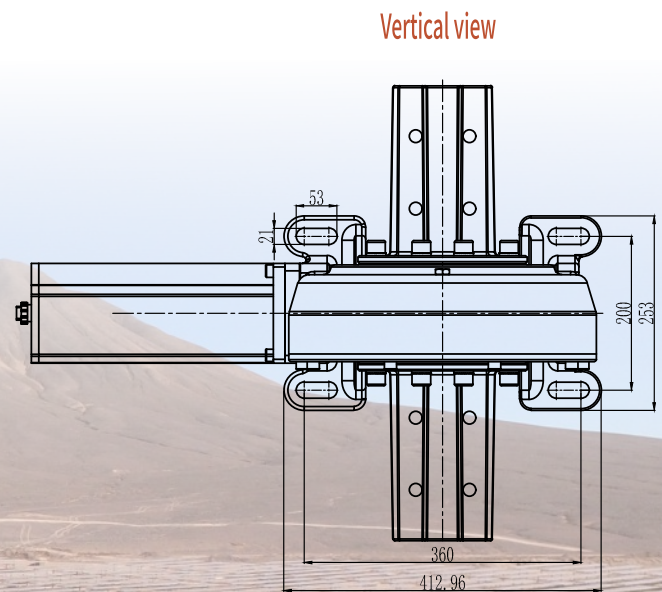
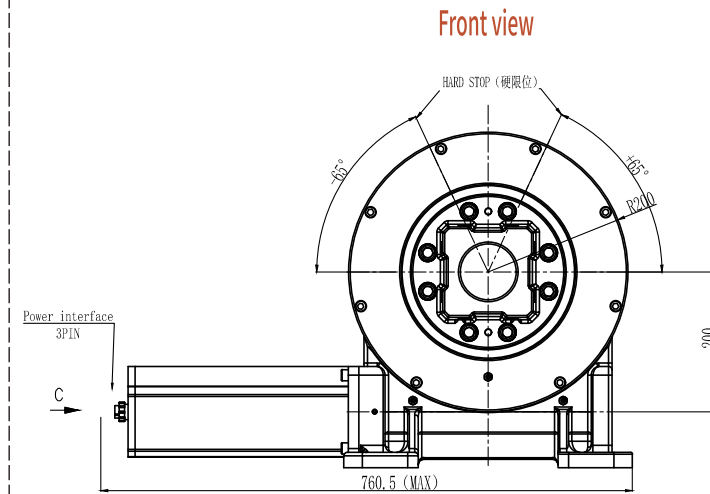
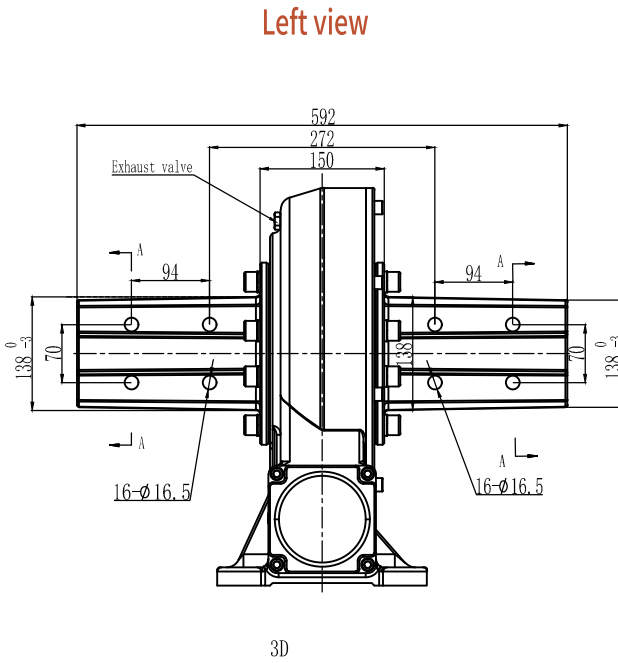
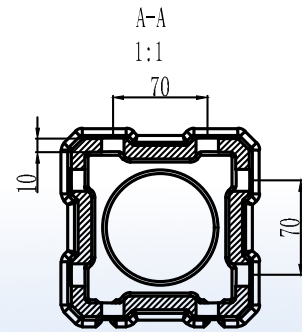
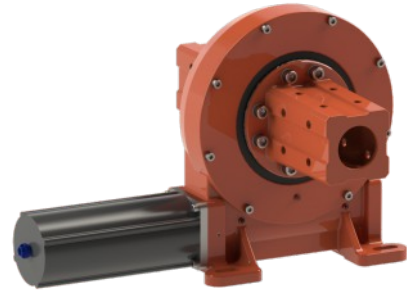
**Front view**



**Vertical view**



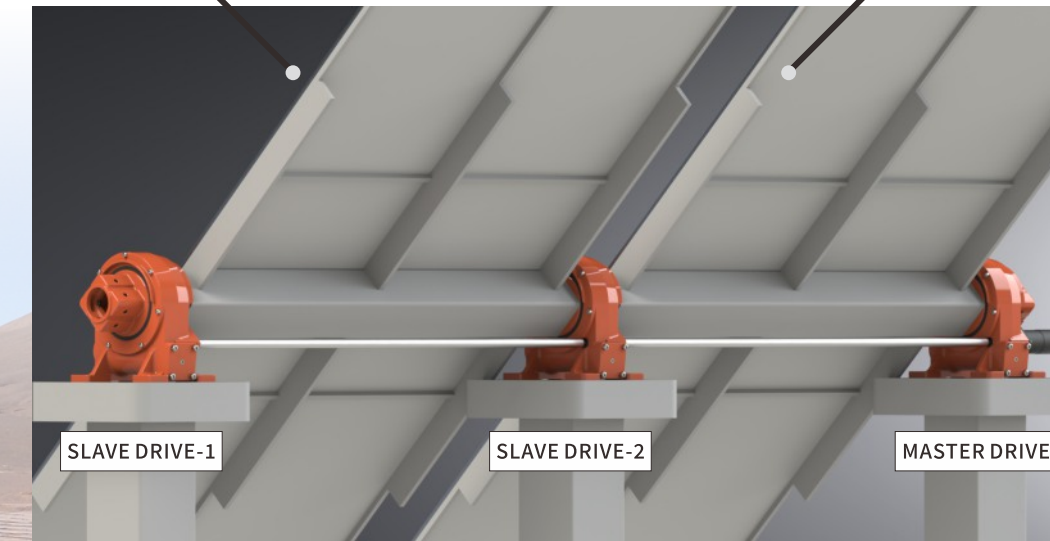
**3D**



**NOTICE**  
Products support non-standard customization, the shape and size of the output shaft can be changed on request.

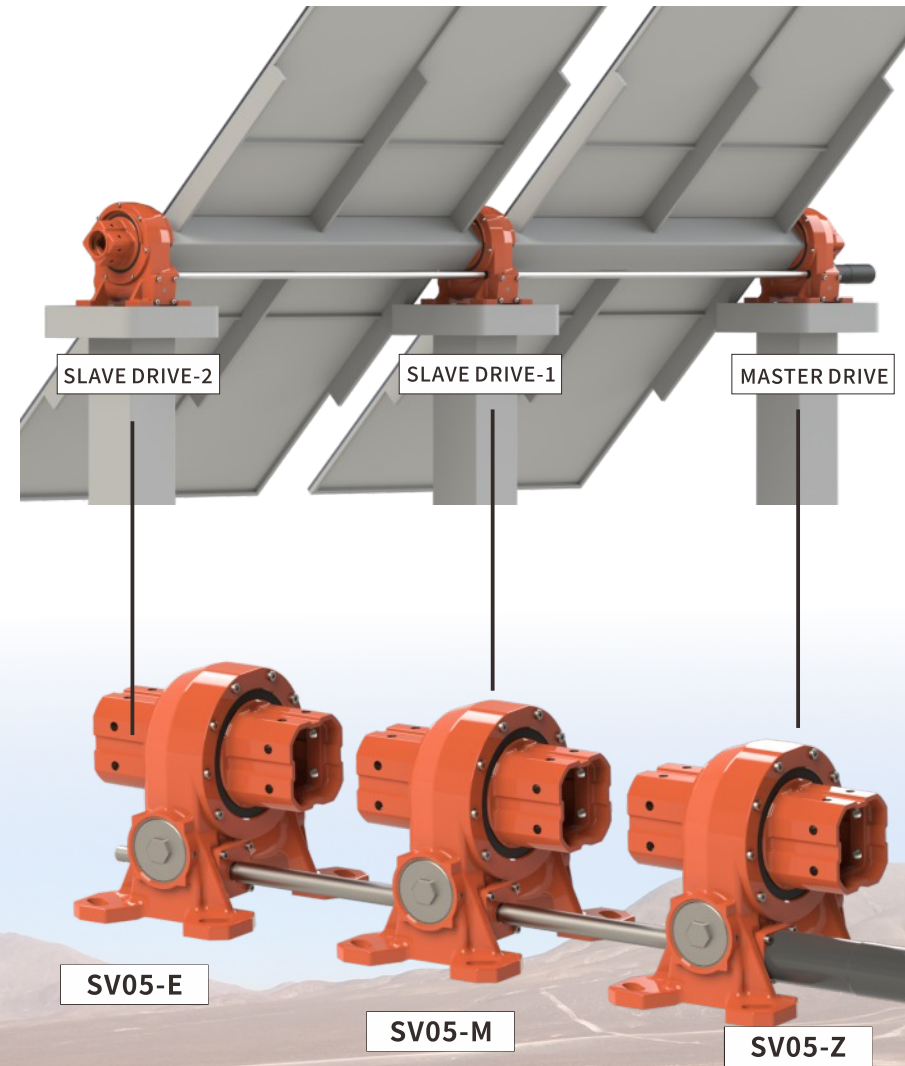
**SLEWING DRIVE PERFORMANCE DATA**

RATED OUTPUT TORQUE	11.2kN.m	RATED OUTPUT SPEED	0.014rpm
HOLDING TORQUE	70kN.m	AXIAL STATIC LOAD	70kN
RADIAL STATIC LOAD	145kN	TRACKING PRECISION	≤0.2°
RATIO OF WORM GEAR	56:1	RATED VOLTAGE OF MOTOR	24V
TEMPERATURE	-40~+80°C	IP CLASS	Ip65





Multi-point linkage scheme



**SLEWING DRIVE PERFORMANCE DATA**

RATED OUTPUT TORQUE	3.3kN.m
HOLDING TORQUE	15.5kN.m
RATED OUTPUT SPEED	0.032rpm
RATIO OF WORM GEAR	880:1
TEMPERATURE	-40~+80°C
RADIAL STATIC LOAD	80kN
AXIAL STATIC LOAD	45kN
TRACKING PRECISION	≤0.2°
RATED VOLTAGE OF MOTOR	24V
IP CLASS	Ip65

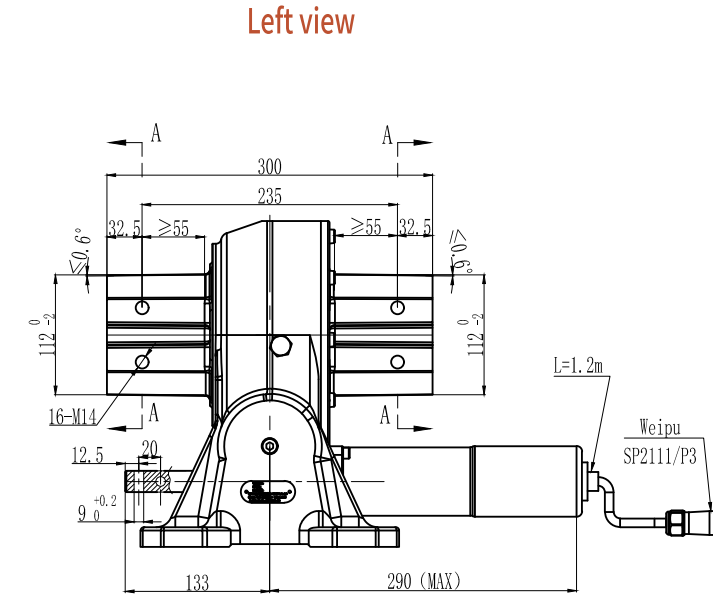
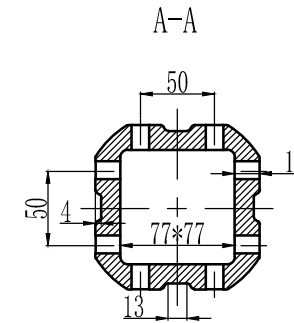


Electric Connection  
Pin1: motor -,  
Pin2: motor +,  
Pin3: Ground



**NOTICE**

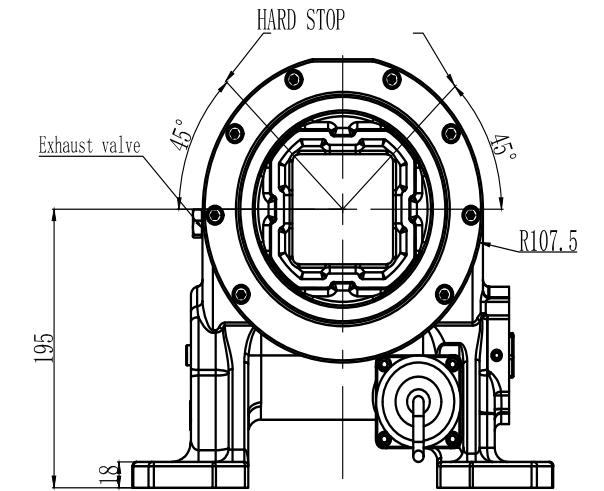
Products support non-standard customization, the shape and size of the output shaft can be changed on request.



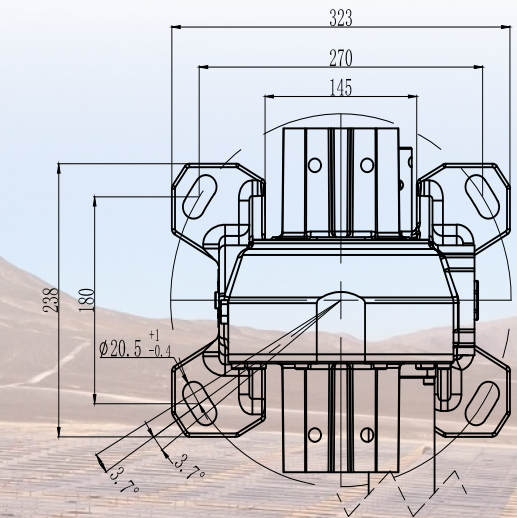
**3D**

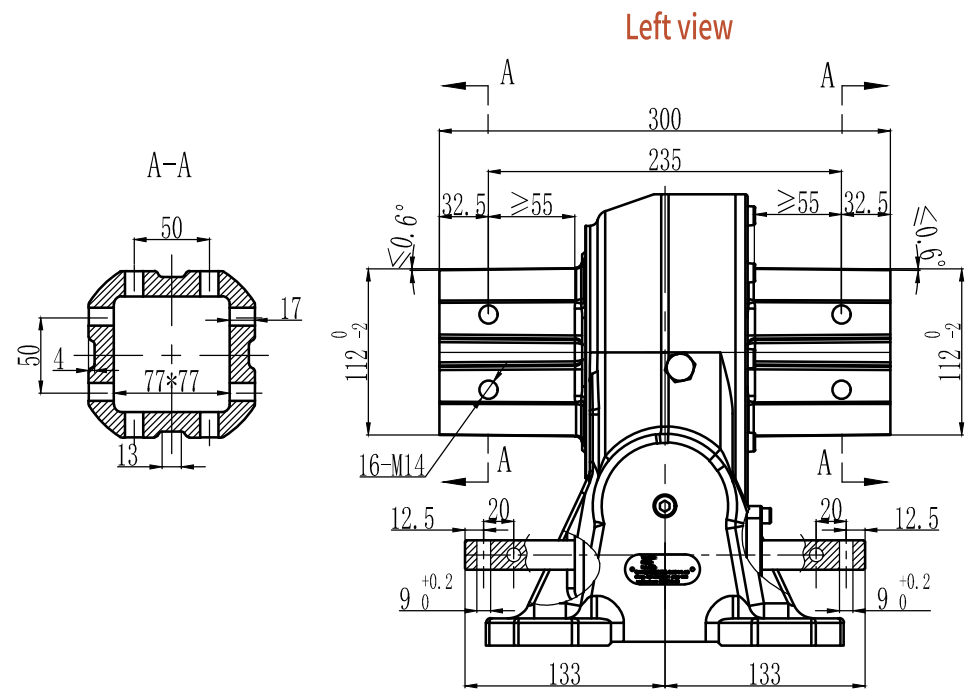


Front view

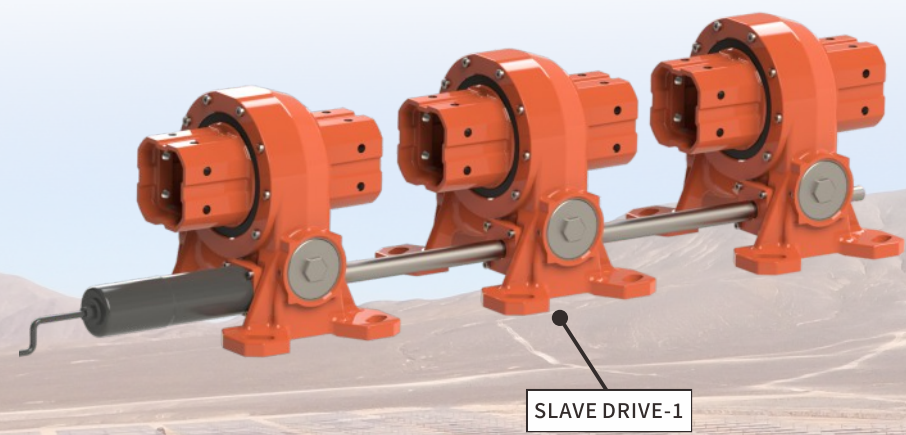


Vertical view

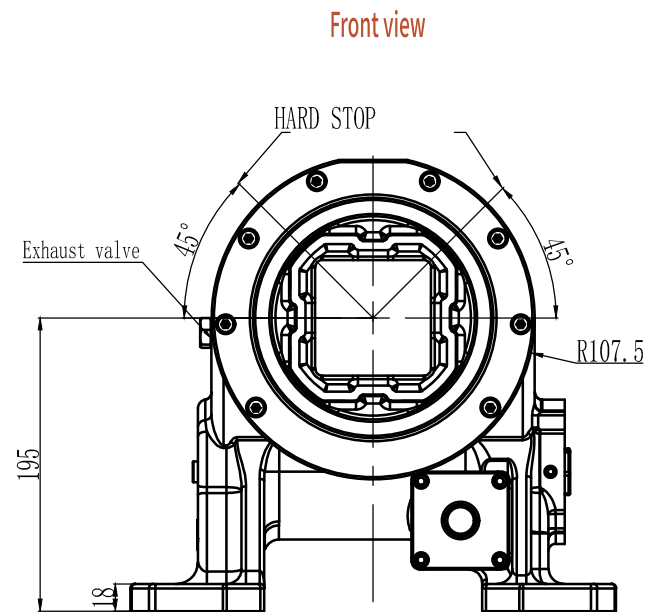




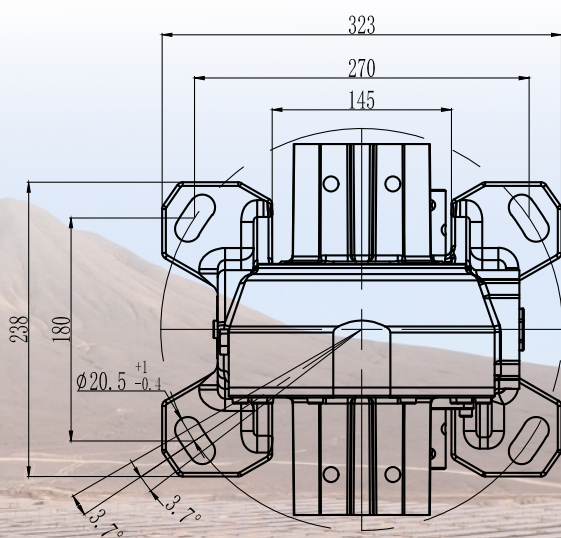
**3 D**



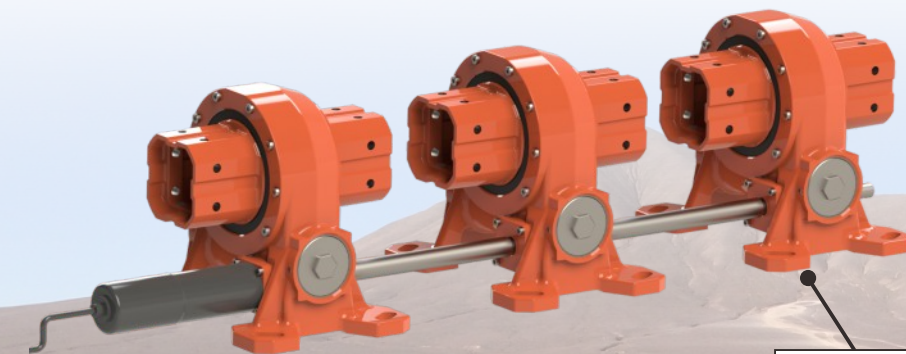
SLAVE DRIVE-1



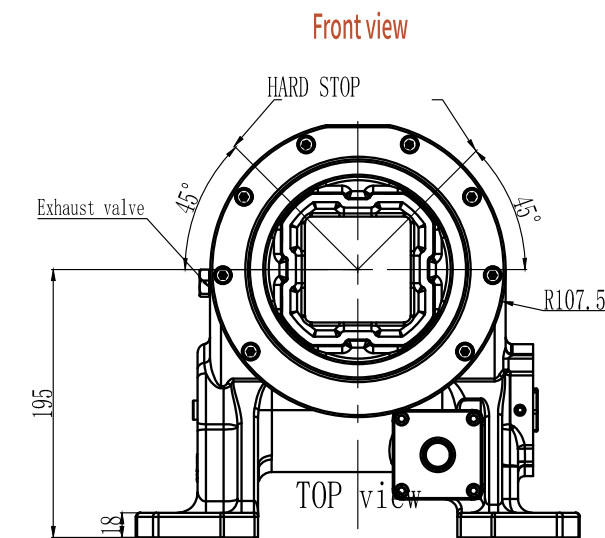
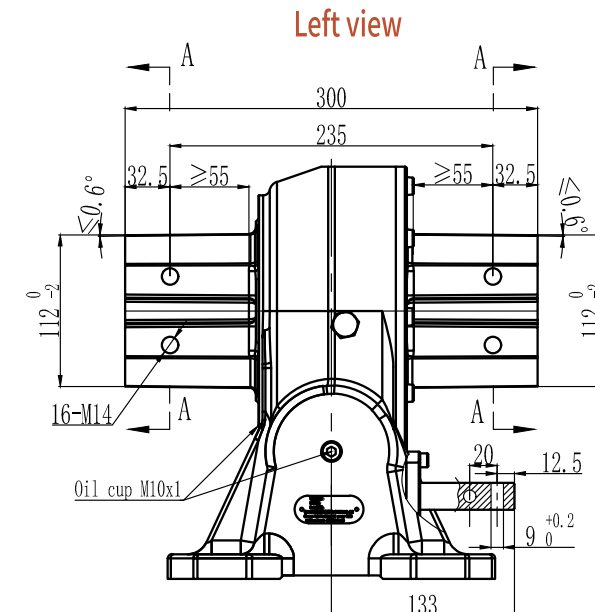
Vertical view



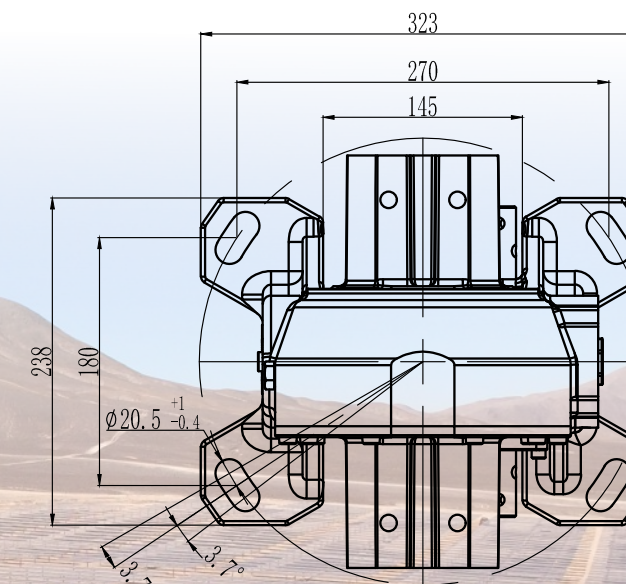
**3 D**



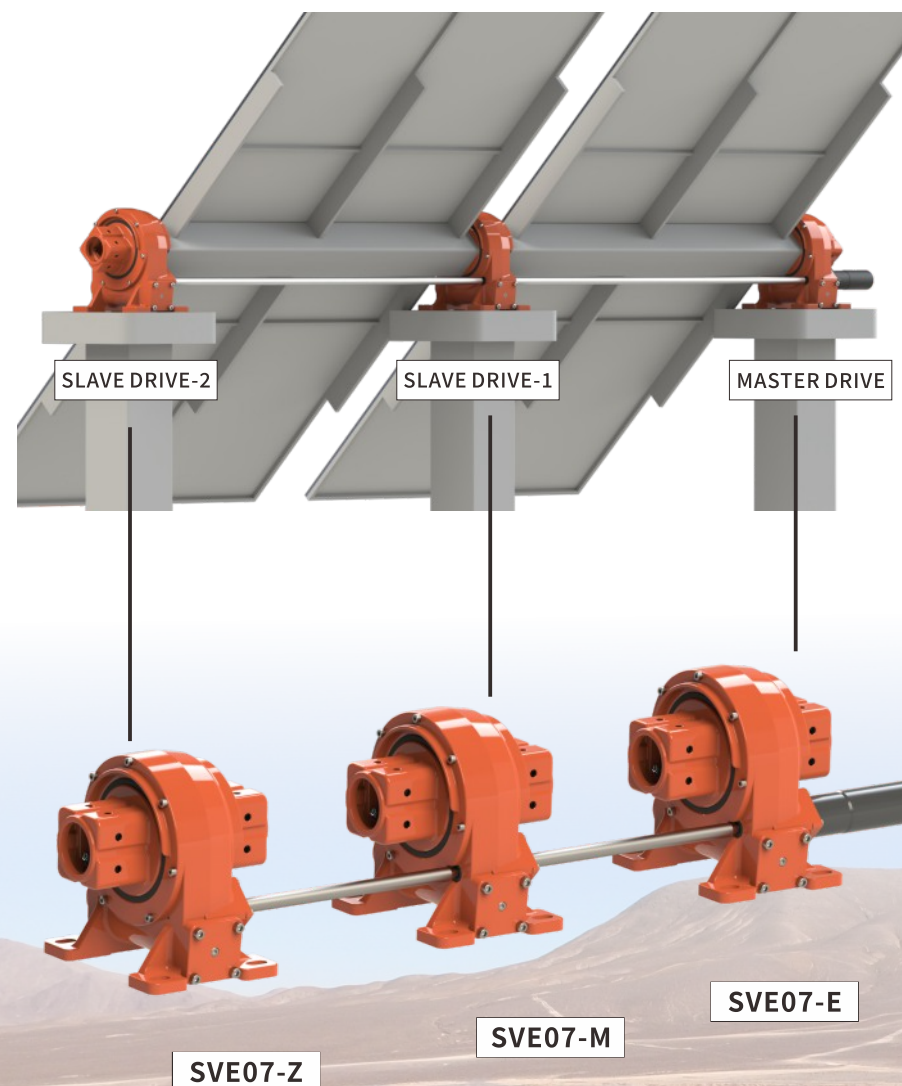
SLAVE DRIVE-2



Vertical view

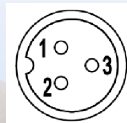


Multi-point linkage scheme



**SLEWING DRIVE PERFORMANCE DATA**

<b>RATED OUTPUT TORQUE</b>	<b>6.0kN.m</b>
<b>HOLDING TORQUE</b>	<b>45kN.m</b>
<b>RATED OUTPUT SPEED</b>	<b>0.032rpm</b>
<b>RATIO OF WORM GEAR</b>	<b>2160:1</b>
<b>TEMPERATURE</b>	<b>-40~+80°C</b>
<b>RADIAL STATIC LOAD</b>	<b>85kN</b>
<b>AXIAL STATIC LOAD</b>	<b>48kN</b>
<b>TRACKING PRECISION</b>	<b>≤0.2°</b>
<b>RATED VOLTAGE OF MOTOR</b>	<b>24V</b>
<b>IP CLASS</b>	<b>Ip65</b>

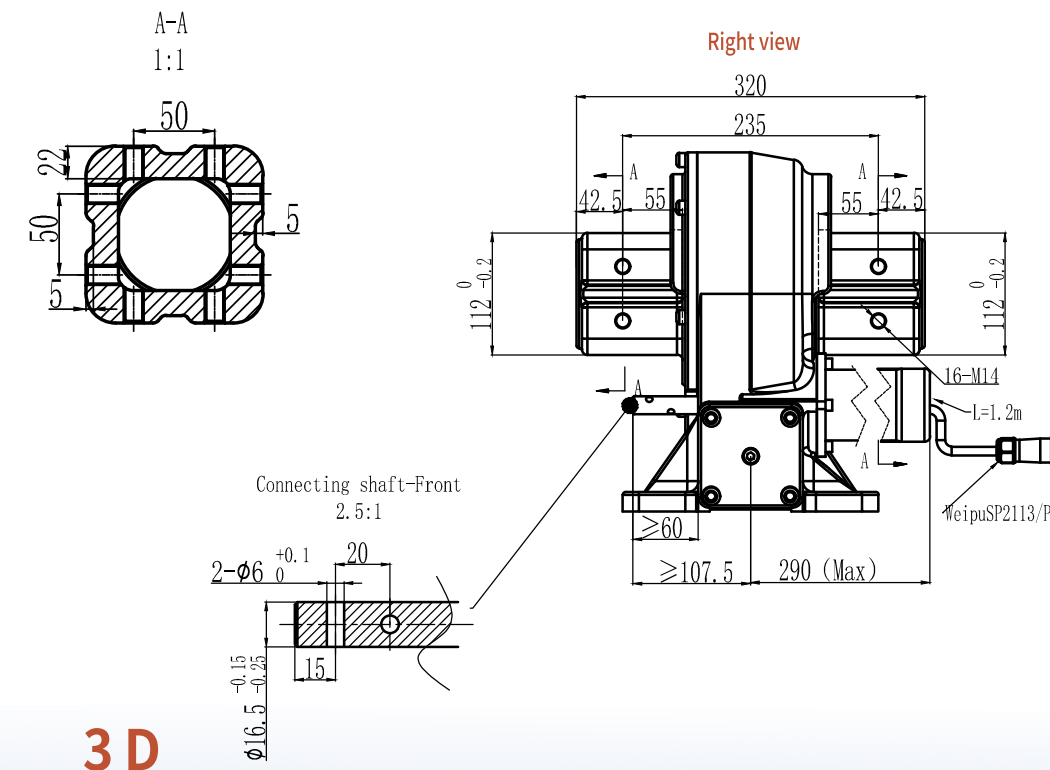


Electric Connection  
Pin1: motor -,  
Pin2: motor +,  
Pin3: Ground

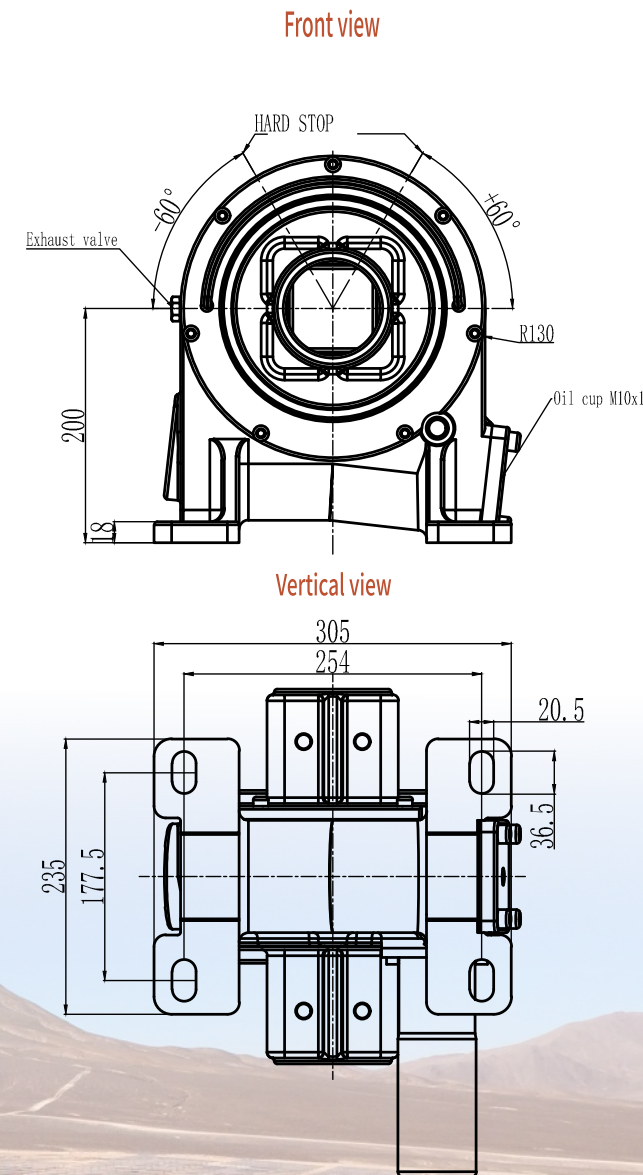


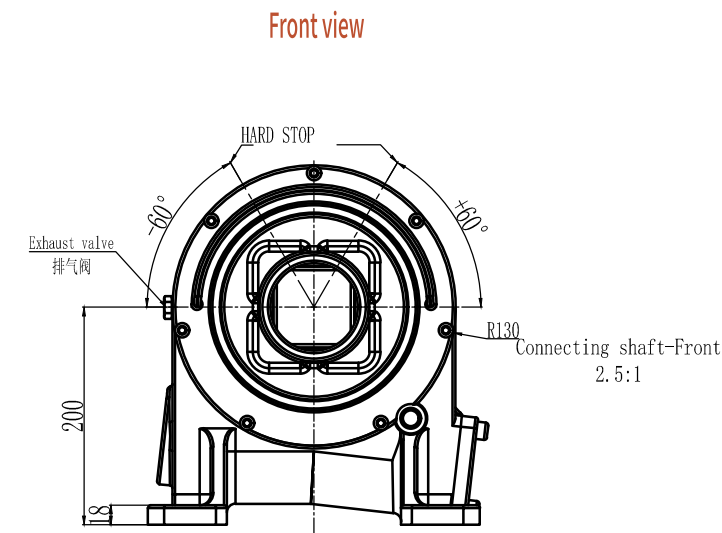
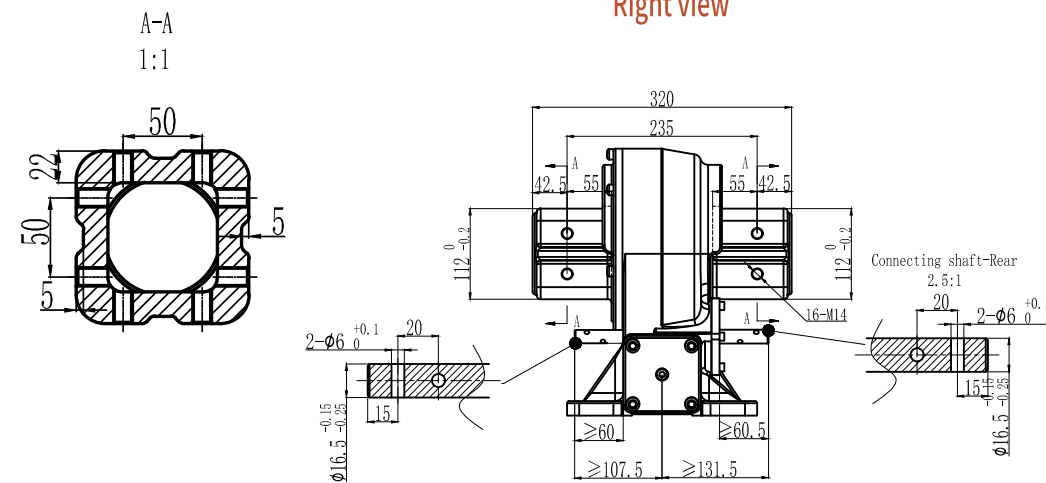
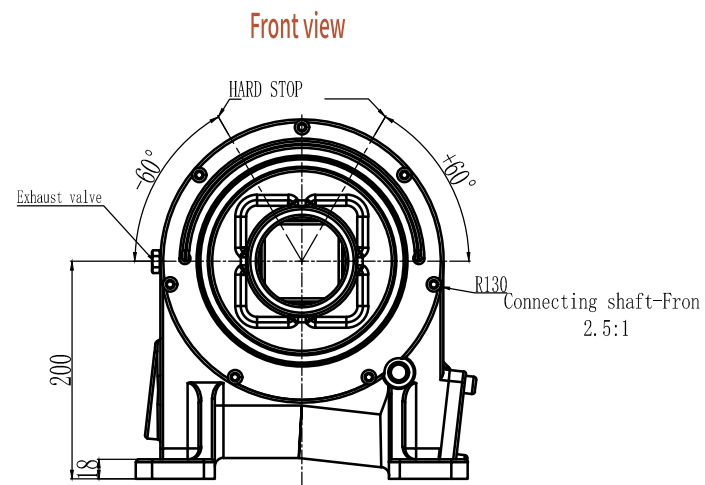
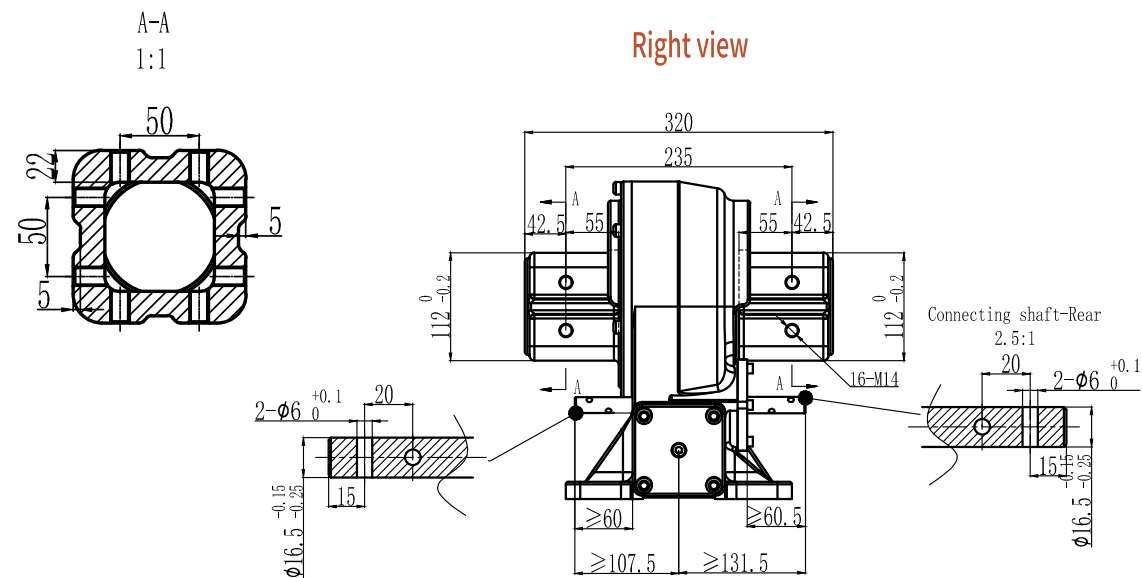
**NOTICE**

Products support non-standard customization, the shape and size of the output shaft can be changed on request.



**3 D**



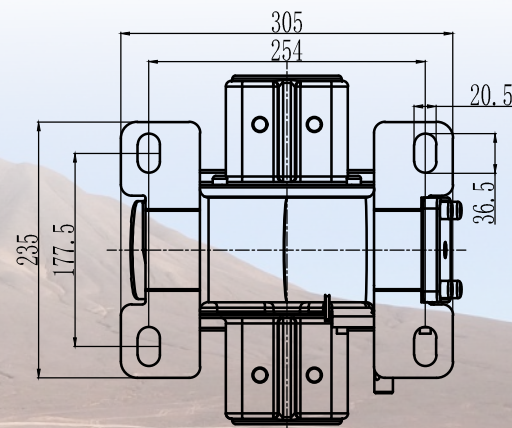


**3D**



SLAVE DRIVE-1

Vertical view

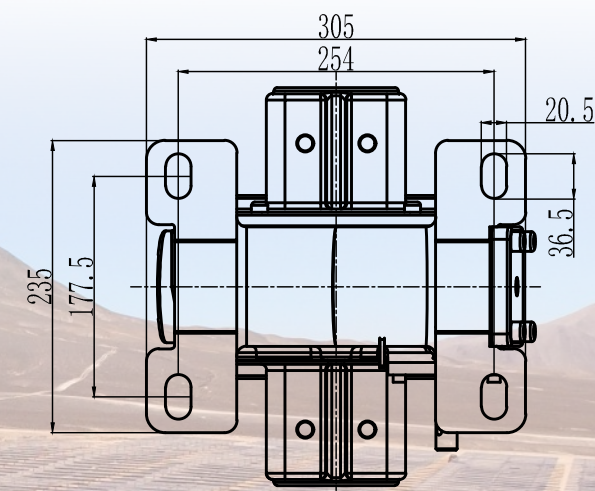


**3D**

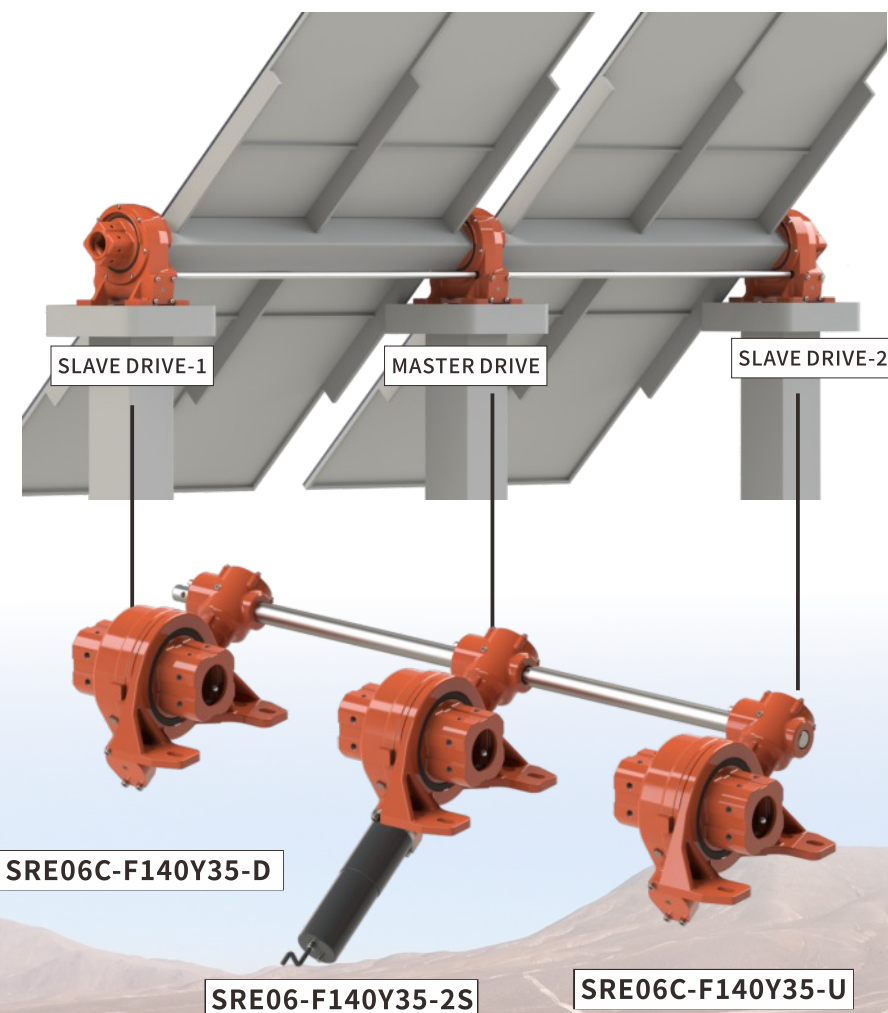


SLAVE DRIVE-2

Vertical view



Multi-point linkage scheme



**SLEWING DRIVE PERFORMANCE DATA**

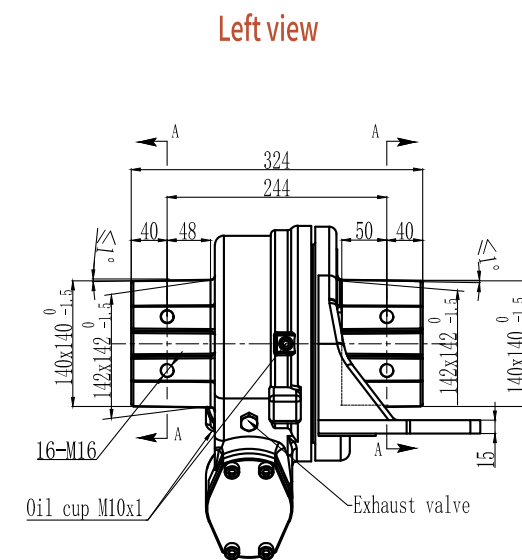
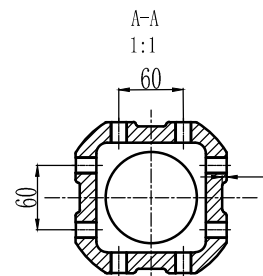
<b>RATED OUTPUT TORQUE</b>	<b>3.5kN.m</b>
<b>HOLDING TORQUE</b>	<b>30kN.m</b>
<b>RATED OUTPUT SPEED</b>	<b>0.025rpm</b>
<b>RATIO OF WORM GEAR</b>	<b>60:1</b>
<b>TEMPERATURE</b>	<b>-40~+80°C</b>
<b>RADIAL STATIC LOAD</b>	<b>90kN</b>
<b>AXIAL STATIC LOAD</b>	<b>50kN</b>
<b>TRACKING PRECISION</b>	<b>≤0.2°</b>
<b>RATED VOLTAGE OF MOTOR</b>	<b>24V</b>
<b>IP CLASS</b>	<b>Ip65</b>



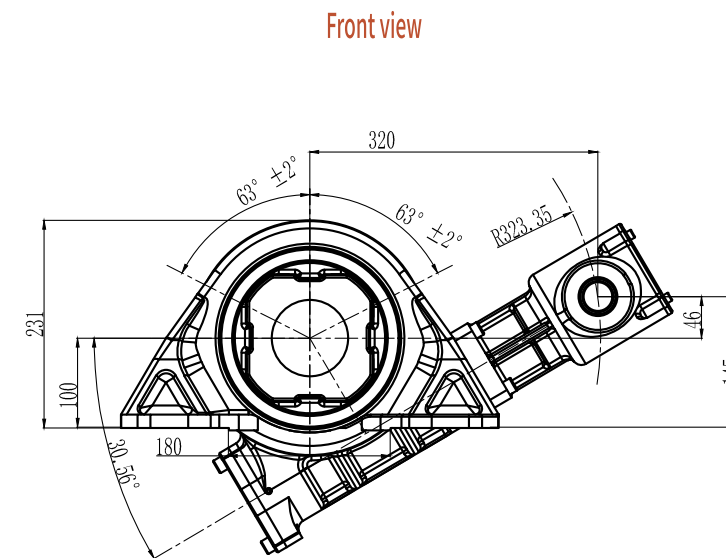
Electric Connection  
Pin1: motor -,  
Pin2: motor +,  
Pin3: Ground

**NOTICE**

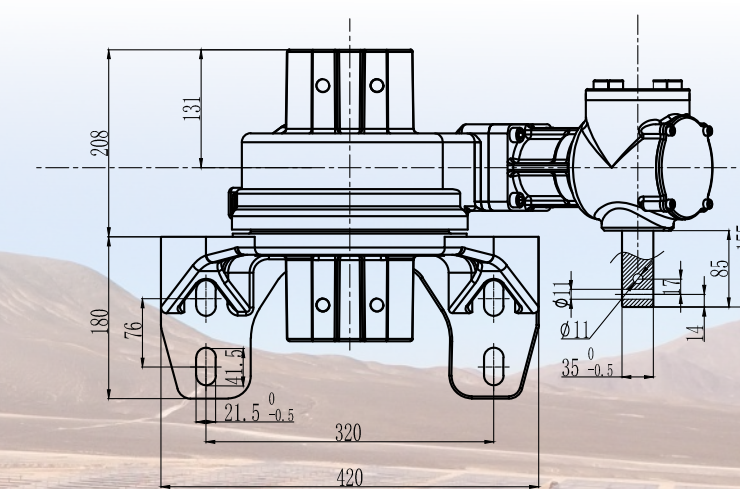
Products support non-standard customization, the shape and size of the output shaft can be changed on request.



**3D**



**Vertical view**



SRE06C-F140Y35-D

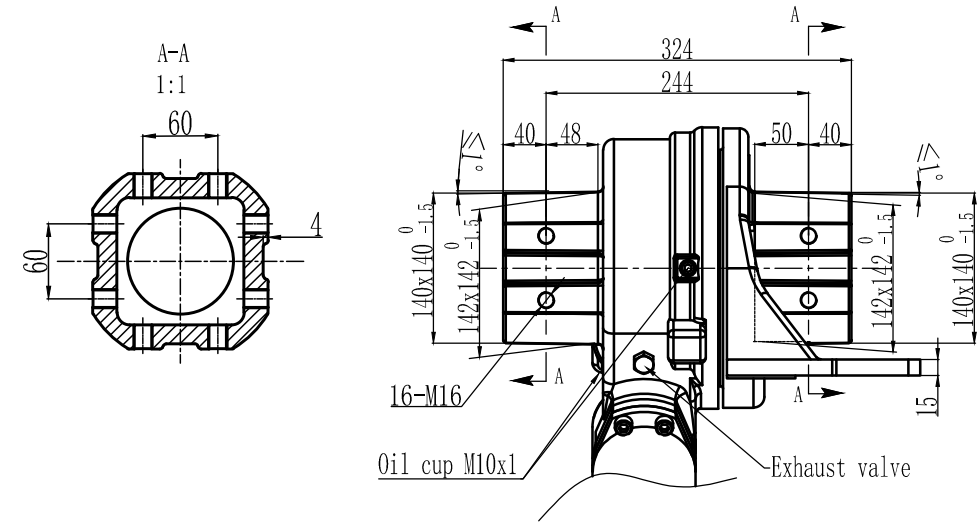
units: 1inch=25.4mm

units: 1inch=25.4mm

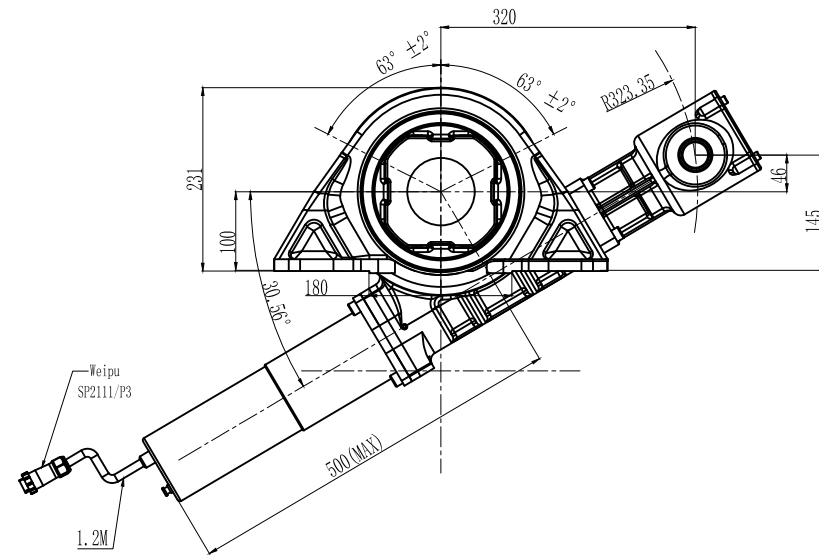
SRE06-F140Y35-2S

SRE06C-F140Y35-U

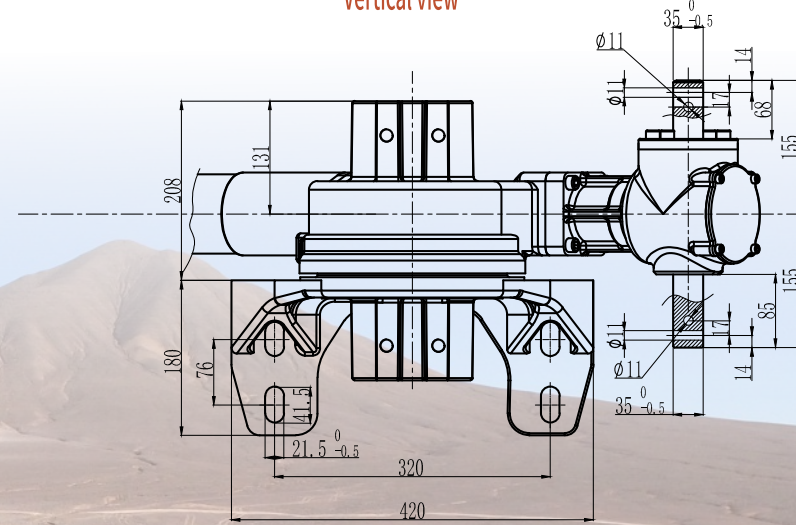
Left view



Front view



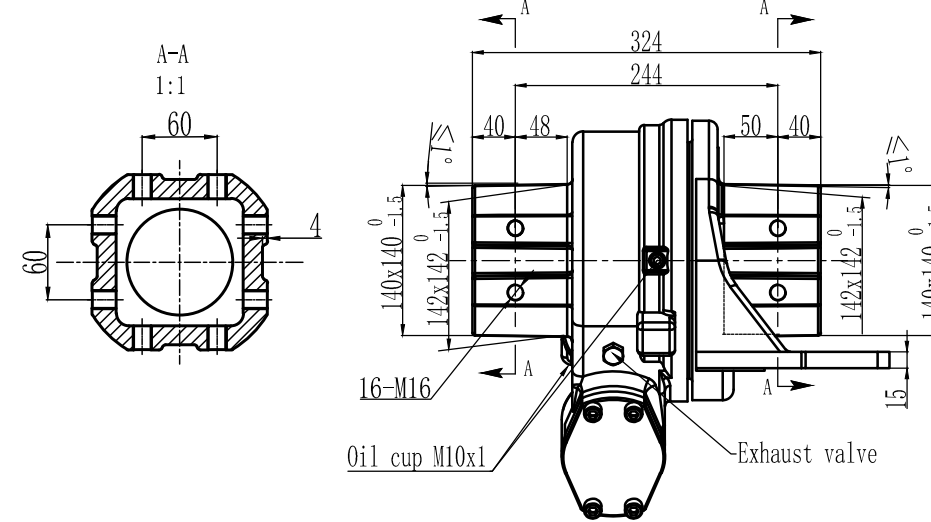
Vertical view



3 D



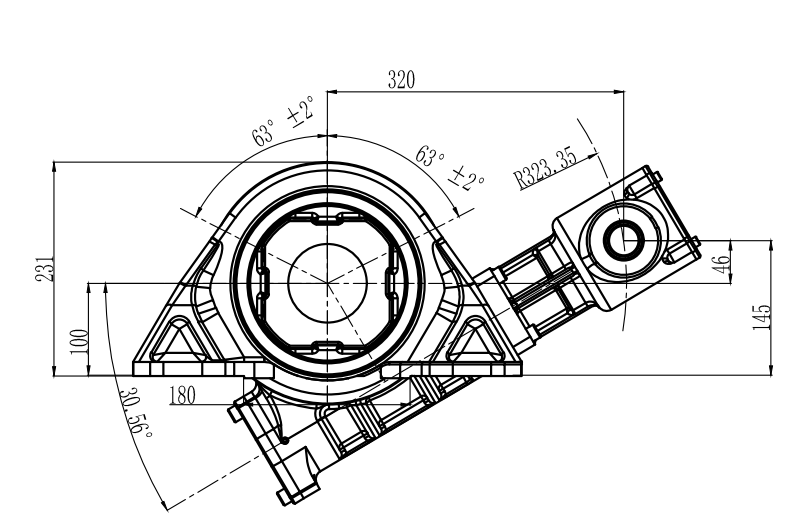
Left view



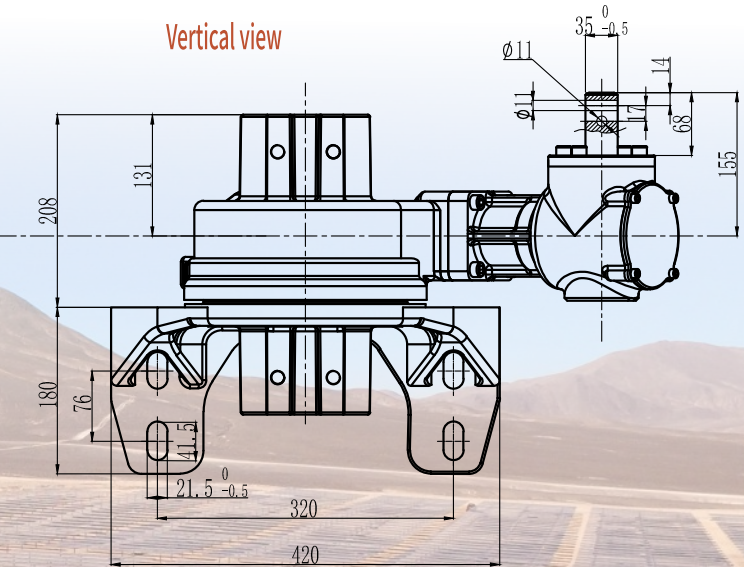
3 D



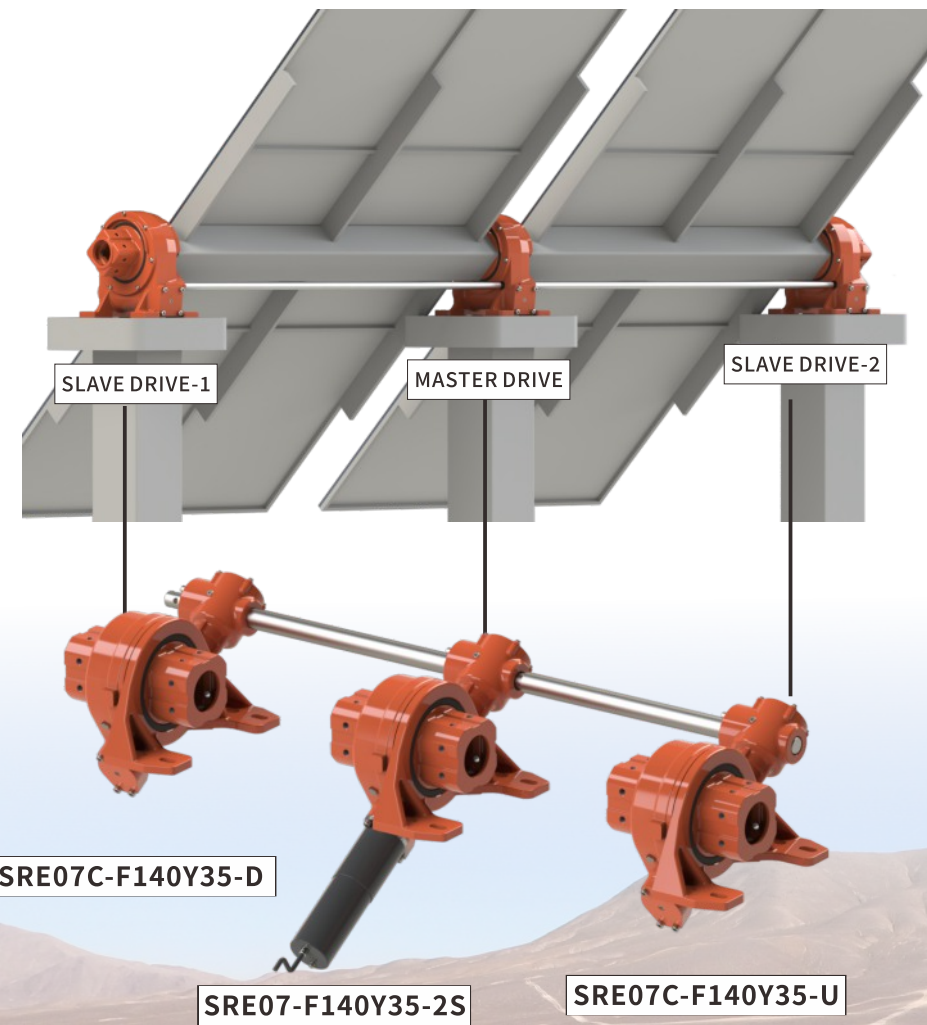
Front view



Vertical view



Multi-point linkage scheme



**SLEWING DRIVE PERFORMANCE DATA**

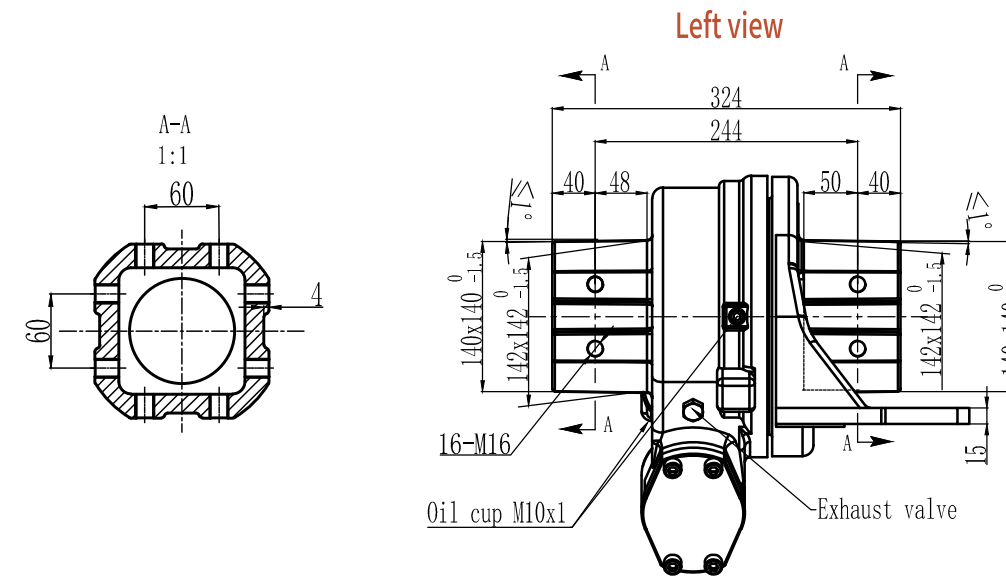
<b>RATED OUTPUT TORQUE</b>	<b>3.5kN.m</b>
<b>HOLDING TORQUE</b>	<b>30kN.m</b>
<b>RATED OUTPUT SPEED</b>	<b>0.025rpm</b>
<b>RATIO OF WORM GEAR</b>	<b>66:1</b>
<b>TEMPERATURE</b>	<b>-40~+80°C</b>
<b>RADIAL STATIC LOAD</b>	<b>90kN</b>
<b>AXIAL STATIC LOAD</b>	<b>50kN</b>
<b>TRACKING PRECISION</b>	<b>≤0.2°</b>
<b>RATED VOLTAGE OF MOTOR</b>	<b>24V</b>
<b>IP CLASS</b>	<b>Ip65</b>



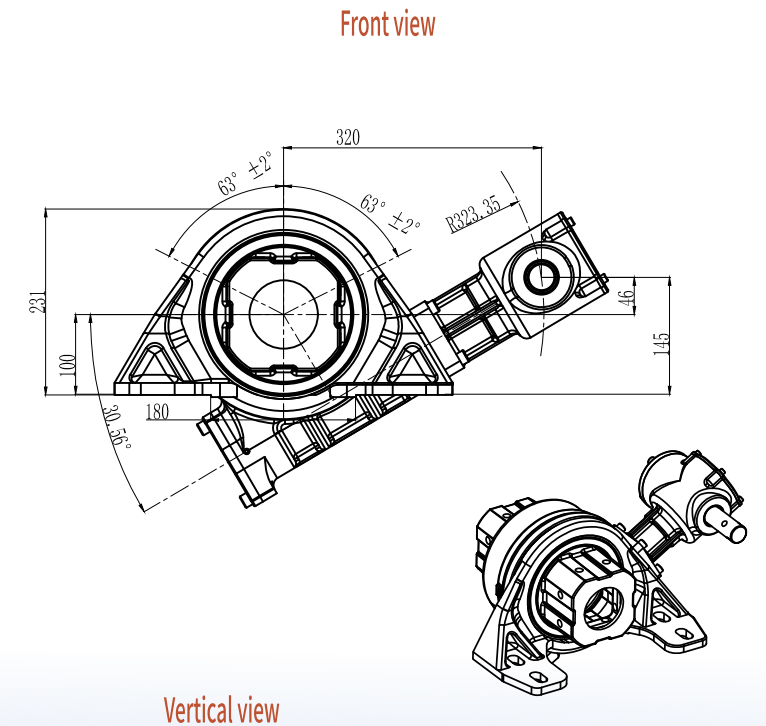
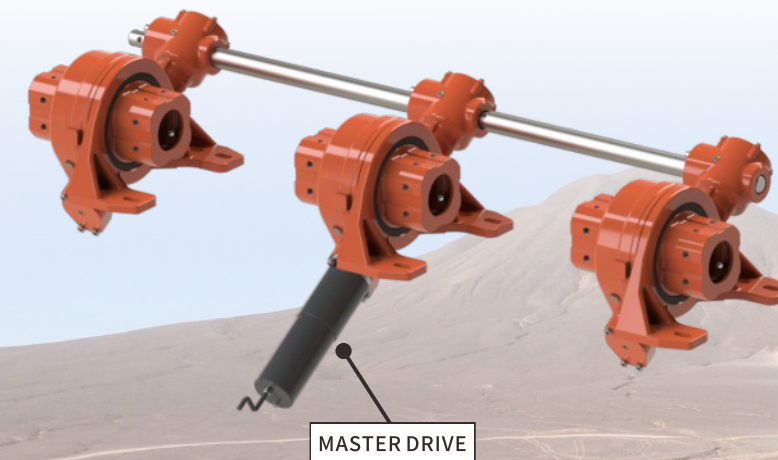
Electric Connection  
Pin1: motor -,  
Pin2: motor +,  
Pin3: Ground

**NOTICE** 注意

Products support non-standard customization, the shape and size of the output shaft can be changed on request.



**3D**

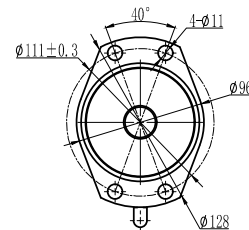
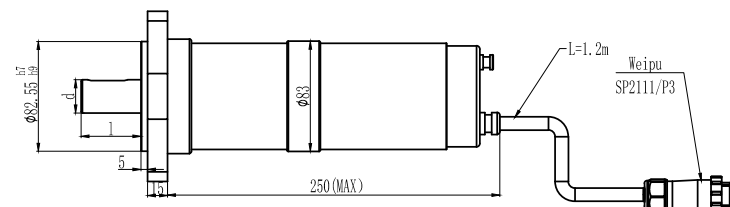
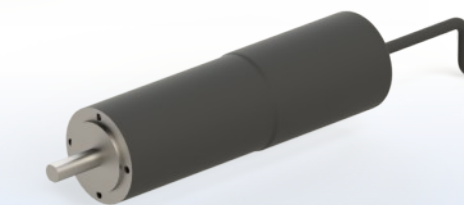
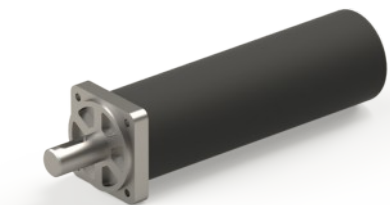


SRE07 MULTI-POINT LINKAGE

SRE07C-F140Y35-D

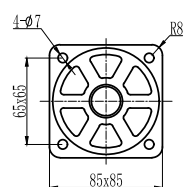
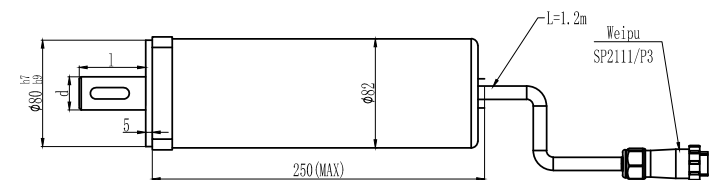






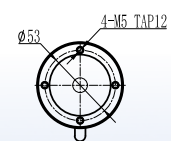
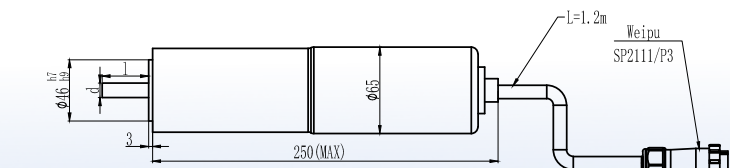
Connection Method: LX 130

Working voltage	24	Rated current/A	5A
Range of rotation	1.2~2rpm	Protection Level	Ip65
Operating temperature	-40°C~+80°C	Noise	≤ 65DB



Connection Method: FL 85

Working voltage	24	Rated current/A	3.5/5A
Range of rotation	40~55rpm	Protection Level	Ip65
Operating temperature	-40°C~+80°C	Noise	≤ 65DB



Connection Method: RY 65

Working voltage	24	Rated current/A	3.5/5A
Range of rotation	15~30rpm	Protection Level	Ip65
Operating temperature	-40°C~+80°C	Noise	≤ 65DB

①:  
Weipu SP2111/P3  
Weipu SP2113/P3



Electric Connection :  
Pin1: motor -,  
Pin2: motor +,  
Pin3: Ground

②:  
EC02681-2023-BF



Electric Connection :  
Pin1: motor +,  
Pin2: motor -

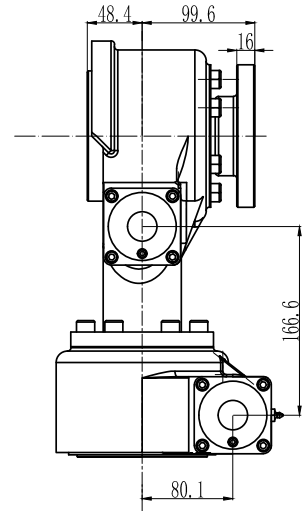


Photothermal dual-axis tracker

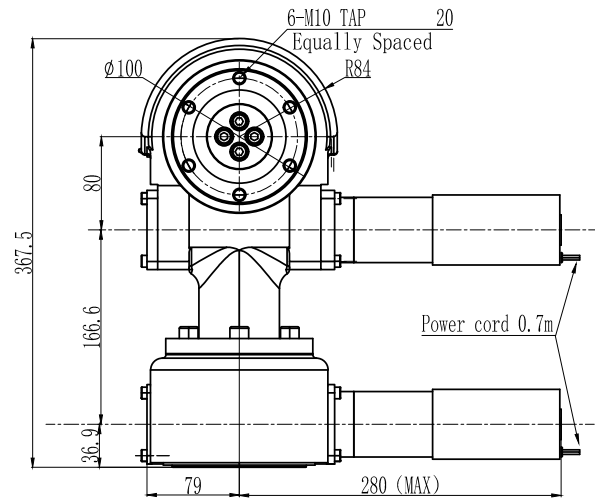
**3 D**



**Left view**



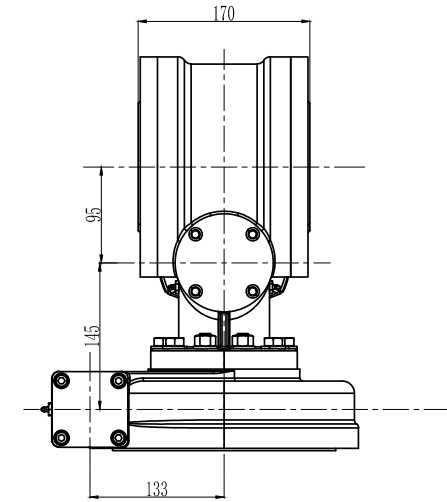
**Front view**



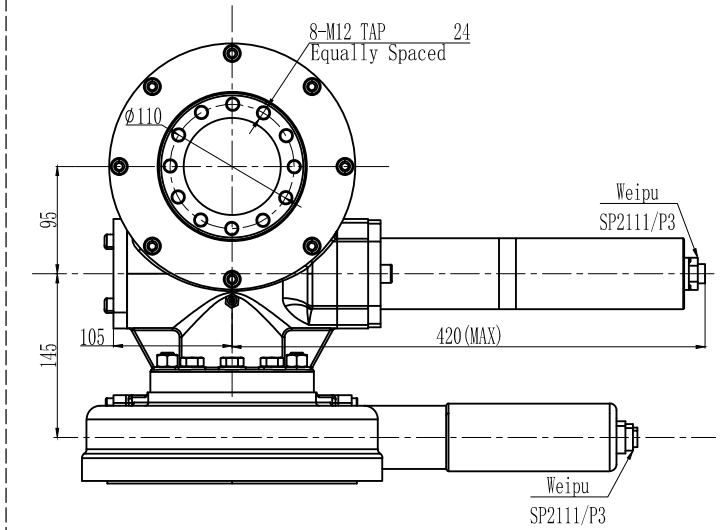
**3 D**



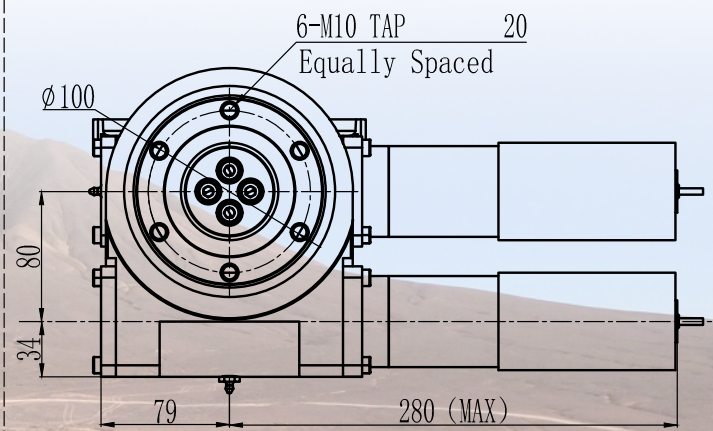
**Left view**



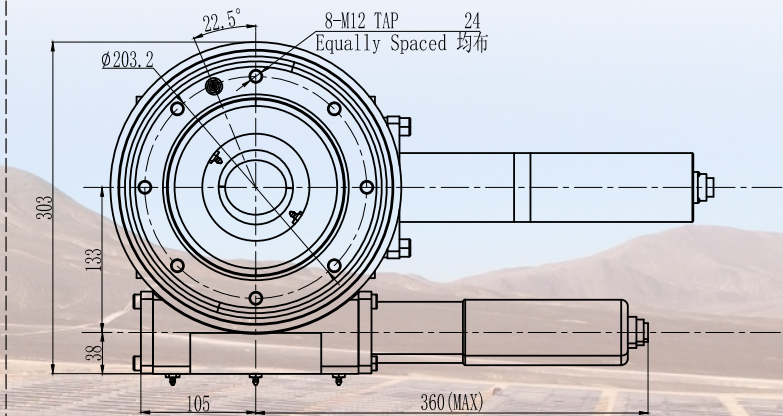
**Front view**



**TOP view**



**TOP view**



**NOTICE**  
Products support non-standard customization, the shape and size of the output shaft can be changed on request.

**NOTICE**  
Products support non-standard customization, the shape and size of the output shaft can be changed on request.

**SLEWING DRIVE PERFORMANCE DATA**

RATED OUTPUT TORQUE	400N.m	TILTING MOMENT TORQUE	2000N.m
HOLDING TORQUE	2000N.m	AXIAL STATIC LOAD	30kN
RADIAL STATIC LOAD	15kN	TRACKING PRECISION	≤0.1°
RATIO OF WORM GEAR	52:1	IP CLASS	Ip65
TEMPERATURE	-40~+80°C		

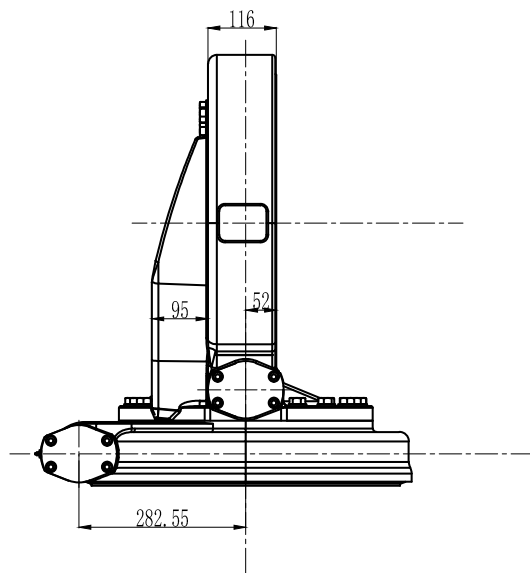
**SLEWING DRIVE PERFORMANCE DATA**

RATED OUTPUT TORQUE	1500N.m	TILTING MOMENT TORQUE	13500N.m
HOLDING TORQUE	10400N.m	AXIAL STATIC LOAD	120kN
RADIAL STATIC LOAD	53kN	TRACKING PRECISION	≤0.1°
RATIO OF WORM GEAR	71:1	IP CLASS	Ip65
TEMPERATURE	-40~+80°C		

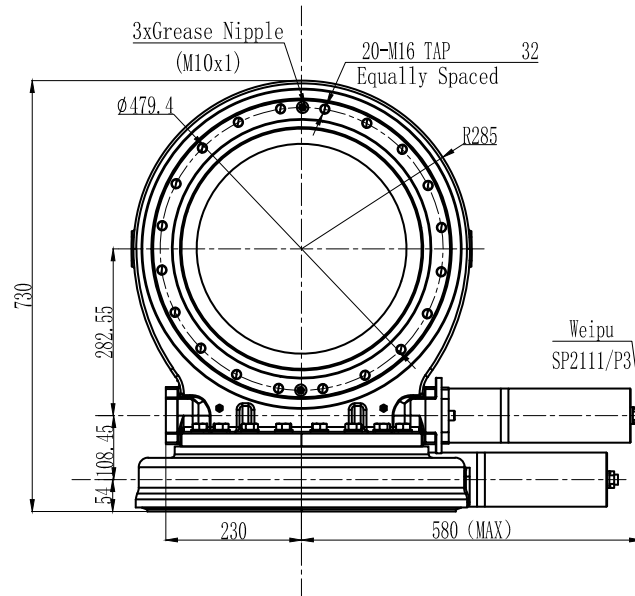
**3 D**



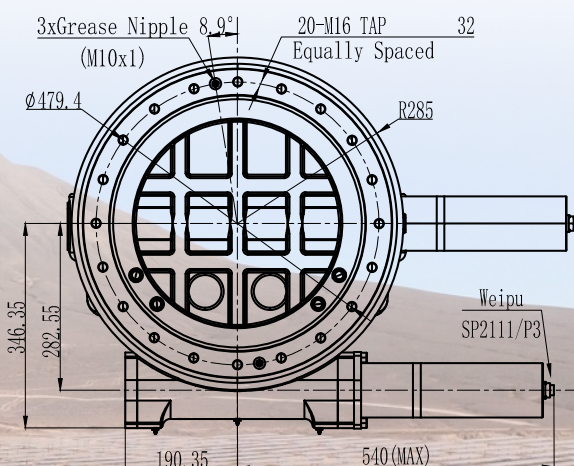
Left view



Front view



TOP view

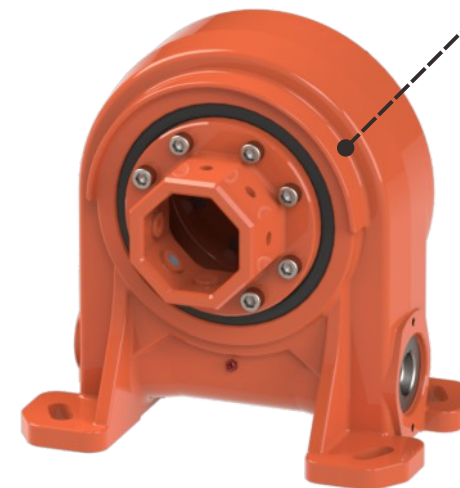


**NOTICE**  
Products support non-standard customization, the shape and size of the output shaft can be changed on request.

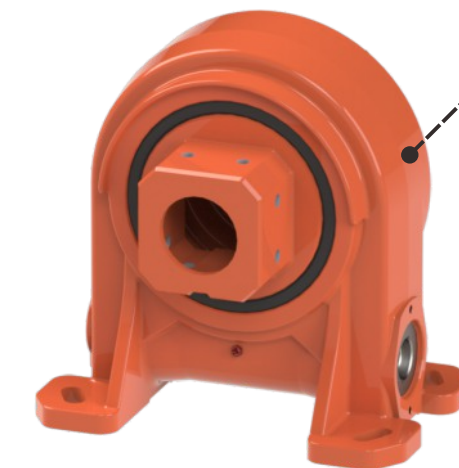
**SLEWING DRIVE PERFORMANCE DATA**

RATED OUTPUT TORQUE	10kN.m	TILTING MOMENT TORQUE	135.6kN.m
HOLDING TORQUE	72.3kN.m	AXIAL STATIC LOAD	970kN
RADIAL STATIC LOAD	390kN	TRACKING PRECISION	≤0.14°
RATIO OF WORM GEAR	102:1	IP CLASS	Ip65
TEMPERATURE	-40~+80°C		

OCTAGON



QUADRATE



HEXAGON



CIRCLE

